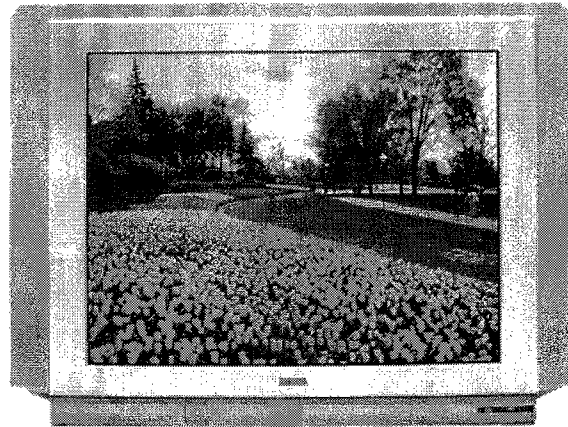


# TEAC

# SERVICE MANUAL

---

---



**CT-M808SV**

---

<b>1. Caution.....</b>	<b>2</b>
<b>2. Specification.....</b>	<b>6</b>
<b>3. BOM List .....</b>	<b>9</b>
<b>4. Alignment Procedure.....</b>	<b>40</b>
<b>5. Block Diagram.....</b>	<b>46</b>
<b>6. Schematic Diagram.....</b>	<b>47</b>
<b>7. PCB Layout.....</b>	<b>48</b>

---

---

This manual is the latest at the time of printing, and does not include the modification which may be made after the printing, by the constant improvement of product.

**CAUTION:**

Use of controls, adjustments or procedures other than those specified herein may result in hazardous radiation exposure.

---



**CAUTION**  
RISK OF ELECTRIC  
SHOCK DO NOT OPEN.



CAUTION: TO REDUCE THE RISK OF ELECTRICAL SHOCK, DO NOT REMOVE COVER (OR BACK). NO USER SERVICEABLE PARTS INSIDE. REFER SERVICING TO QUALIFIED SERVICE PERSONNEL.

---



The lightning flash with arrowhead symbol, with an equilateral triangle is intended to alert the user to the presence of uninsulated "dangerous voltage" within the product's enclosure that may be of sufficient magnitude to constitute a risk of electric shock to the person.

---



The exclamation point within an equilateral triangle is intended to alert the user to the presence of important operating and maintenance (servicing) instructions in the literature accompanying the appliance.

---

**WARNING: TO REDUCE RISK OF FIRE OR ELECTRIC SHOCK, DO NOT EXPOSE THIS APPLIANCE TO RAIN OR MOISTURE.**

# **IMPORTANT SAFETY INSTRUCTIONS**

## **CAUTION:**

**Read all of these instructions. Save these instructions for later use. Follow all Warnings and Instructions marked on the audio equipment.**

1. Read Instructions- All the safety and operating instructions should be read before the product is operated.
2. Retain Instructions- The safety and operating instructions should be retained for future reference.
3. Heed Warnings- All warnings on the product and in the operating instructions should be adhered to.
4. Follow Instructions- All operating and use instructions should be followed.

## **FOR YOUR PERSONAL SAFETY**

1. When the power cord or plug is damaged or frayed, unplug this television set from the wall outlet and refer servicing to qualified service personnel.
2. Do not overload wall outlets and extension cords as this can result in fire or electric shock.
3. Do not allow anything to rest on or roll over the power cord, and do not place the TV where power cord is subject to traffic or abuse. This may result in a shock or fire hazard.
4. Do not attempt to service this television set yourself as opening or removing covers may expose you to dangerous voltage or other hazards. Refer all servicing to qualified service personnel.
5. Never push objects of any kind into this television set through cabinet slots as they may touch dangerous voltage points or short out parts that could result in a fire or electric shock. Never spill liquid of any kind on the television set.
6. If the television set has been dropped or the cabinet has been damaged, unplug this television set from the wall outlet and refer servicing to qualified service personnel.
7. If liquid has been spilled into the television set, unplug this television set from the wall outlet and refer servicing to qualified service personnel.
8. Do not subject your television set to impact of any kind. Be particularly careful not to damage the picture tube surface.
9. Unplug this television set from the wall outlet before cleaning. Do not use liquid cleaners or aerosol cleaners. Use a damp cloth for cleaning.
- 10.1. Do not place this television set on an unstable cart, stand, or table. The television set may fall, causing serious injury to a child or an adult, and serious damage to the appliance. Use only with a cart or stand recommended by the manufacturer, or sold with the television set. Wall or shelf mounting should follow the manufacturer's instructions, and should use a mounting kit approved by the manufacturer.
- 10.2. An appliance and cart combination should be moved with care. Quick stops, excessive force, and uneven surfaces may cause the appliance and cart combination to overturn.



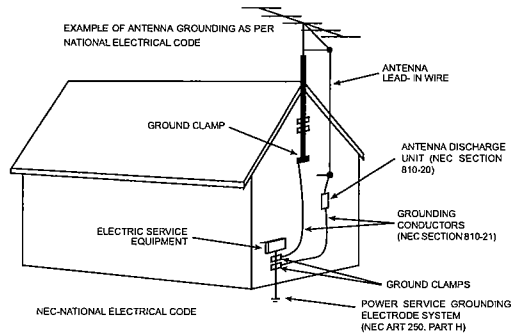
## **PROTECTION AND LOCATION OF YOUR SET**

11.
  - Do not use this television set near water ... for example, near a bathtub, washbowl, kitchen sink, or laundry tub, in a wet basement, or near a swimming pool, etc.
  - Never expose the set to rain or water. If the set has been exposed to rain or water, unplug the set from the wall outlet and refer servicing to qualified service personnel.
12. Choose a place where light (artificial or sunlight) does not shine directly on the screen.
13. Avoid dusty places, since piling up of dust inside TV chassis may cause failure of the set when high humidity persists.
14. The set has slots, or openings in the cabinet for ventilation purposes, to provide reliable operation of the receiver, to protect it from overheating. These openings must not be blocked or covered.
  - Never cover the slots or openings with cloth or other material.
  - Never block the bottom ventilation slots of the set by placing it on a bed, sofa, rug, etc.
  - Never place the set near or over a radiator or heat register.
  - Never place the set in a "built-in" enclosure, unless proper ventilation is provided.

## **PROTECTION AND LOCATION OF YOUR SET**

- 15.1. If an outside antenna is connected to the television set, be sure the antenna system is grounded so as to provide some protection against voltage surges and built up static charges. Section 810 of the National Electrical Code, NFPA No. 70-1975, provides information with respect to proper grounding of the mast and supporting structure, grounding of the lead-in wire to an antenna discharge unit, size of grounding conductors, location of antenna discharge unit, connection to grounding electrode, and requirements for the grounding electrode.

### EXAMPLE OF ANTENNA GROUNDING AS PER NATIONAL ELECTRICAL CODE INSTRUCTIONS



- 15.2. Note to CATV system installer : (Only for the television set with CATV reception)

This reminder is provided to call the CATV system installer's attention to Article 820-40 of the NEC that provides guidelines for proper grounding and, in particular, specifies that the cable ground shall be connected to the grounding system of the building, as close to the point of cable entry as practical.
16. An outside antenna system should not be located in the vicinity of overhead power lines or other electric lights or power circuits, or where it can fall into such power lines or circuits. When installing an outside antenna system, extreme care should be taken to keep from touching such power lines or circuits as contact with them might be fatal.
17. For added protection for this television set during a lightning storm, or when it is left unattended and unused for long periods of time, unplug it from the wall outlet and disconnect the antenna. This will prevent damage due to lightning and power-line surges.

### **OPERATION OF YOUR SET**

18. This television set should be operated only from the type of power source indicated on the marking label. If you are not sure of the type of power supply at your home, consult your television dealer or local power company. For television sets designed to operate from battery power, refer to the operating instructions.
19. If the television set does not operate normally by following the operating instructions, unplug this television set from the wall outlet and refer servicing to qualified service personnel. Adjust only those controls that are covered in the operating instructions as improper adjustment of other controls may result in damage and will often require extensive work by a qualified technician to restore the television set to normal operation.
20. When going on a holiday : If your television set is to remain unused for a period of time, for instance, when you go on a holiday, turn the television set " off " and unplug the television set from the wall outlet.

### **IF THE SET DOES NOT OPERATE PROPERLY**

21. If you are unable to restore normal operation by following the detailed procedure in your operating instructions, do not attempt any further adjustment. Unplug the set and call your dealer or service technician.
22. Whenever the television set is damaged or fails, or a distinct change in performance indicates a need for service, unplug the set and have it checked by a professional service technician.
23. It is normal for some TV sets to make occasional snapping or popping sounds, particularly when being turned on or off. If the snapping or popping is continuous or frequent, unplug the set and consult your dealer or service technician.

### **FOR SERVICE AND MODIFICATION**

24. Do not use attachments not recommended by the television set manufacturer as they may cause hazards.
25. When replacement parts are required, be sure the service technician has used replacement parts specified by the manufacturer that have the same characteristics as the original part. Unauthorized substitutions may result in fire, electric shock, or other hazards.
26. Upon completion of any service or repairs to the television set, ask the service technician to perform routine safety checks to determine that the television is in safe operating condition.

<b>PFS FORMAT-1 Report</b>	
<b>Date:2003-8-5 14:50</b>	
<b>ProductView.....:</b>	
<b>Report by.....:</b>	<b>Product:@</b>
<b>Specs / Products</b>	<b>CT-M808SV</b>
<b>SRF NO./ODF NO.</b>	<b>ON43029501-R1</b>
<b>MasterData</b>	
<b>Customer Id</b>	TEAC AUSTRALIA PTY LTD
<b>Version</b>	0.1
<b>Status</b>	WG Archived
<b>Brand</b>	TEAC
<b>EAN</b>	\
<b>UPC</b>	\
<b>Reception</b>	
<b>+Tuning - presets/channels</b>	100
<b>+Tuning - technology</b>	PLL
<b>+Tuning - Indication</b>	---
<b>+Freq Bands</b>	HYPER BAND
<b>+Channels</b>	CATV 470MHz
<b>+IF Freq</b>	PICTURE 38.9MHz
<b>+TV Systems Off Air</b>	PAL BG
<b>+Add Systems Ext In</b>	NTSC 3.58/ NTSC 4.43
<b>+TV Systems Multi</b>	PAL
<b>+Sound Systems</b>	AV STEREO, NICAM
<b>Picture - Processing</b>	
<b>+Scan</b>	Standard
<b>+Scan Modes</b>	4:3
<b>+Wide Screen Switching</b>	
<b>+Combfilter</b>	
<b>+Picture Control</b>	Brightness, Color, Contrast, Tint, Sharpness Cont Var, smart Pict.4 Modes
<b>+Pict Enhancement</b>	Black Stretch
<b>+Pict Noise Reduction</b>	---
<b>Picture - Display</b>	
<b>+Display Type</b>	DV - CRT - FSQ
<b>+Screen Format</b>	4:3
<b>+Size(Visual)" - size/vis. cm</b>	34"
<b>+Deflection System (CRT only)</b>	
<b>+Tube Technology (CRT only)</b>	Iron
<b>+CRT Defl</b>	
<b>+CRT Gun</b>	Stand Gun
<b>+CRT Magn field</b>	Neutral
<b>+Resolution</b>	
<b>+Coating (only for D.V. sets)</b>	
<b>+White Point</b>	
<b>Sound</b>	
<b>+Leaflet Power</b>	
<b>+RMS Power Intern</b>	
<b>+RMS Power Extern</b>	
<b>+Surround Sound</b>	
<b>+Sound Features</b>	Mute
<b>+Sound Control</b>	Volume, German Stereo
<b>Sound - Speakers</b>	
<b>+Speaker configuration</b>	2 speakers
<b>+Speakers used</b>	Normal Range
<b>+Speaker Size</b>	
<b>User Interface</b>	
<b>+Interface Name</b>	3450
<b>+Voice Control</b>	
<b>+Menu</b>	Cursor Control
<b>+Menu Colours</b>	
<b>+Menu Languages</b>	English
<b>+Special Features</b>	Auto Standby, Manual Skip
<b>+Operational Features</b>	
<b>+PP Features</b>	
<b>+Tuning/Install Features</b>	Auto Store, Factory Mode, Language Selection, Service Mode
<b>+Clock/Timer Functions</b>	Sleep timer
<b>+Local Controls Front</b>	TV/AV, MENU, CH+/-, VOL+/-, SWITCH POWER
<b>+Local Controls Top</b>	
<b>+Indicators - screen</b>	

Date:2003-8-5 14:50 ProductView..... Report by.....	Product:@ CT-M808SV
<b>Specs / Products</b>	
+Indicators - front	SB LED, RECEIVER LED
+Numb of Loc Cont (incl Mains)	7
+Number of Ind. (incl Mains)	
+Local Controls (Old)	
<b>Remote Control</b>	
+Remote Control - scope	TV
+Remote Control - type	Standard
+Remote Control - typenr	
+Remote Control - features	
<b>Connectors Rear</b>	
+Scart RGB+Y/C+CVBS	
+Scart RGB+CVBS	
+Scart CVBS+Y/C	
+Component In (Y/U/V) Cinch	
+In Y/C+Cinch(CVBS+St)	X
+In Y/C+Cinch(CVBS+Mo)	
+In Y/C+Cinch(St)	
+In BNC (CVBS)	
+In Cinch(CVBS+St)	
+In Cinch(CVBS+Mo)	
+Out Cinch(CVBS+St)	
+Out Cinch(CVBS+Mo)	
+Out Cinch Audio Stereo	X
+Out Cinch Audio Mono	
+Out Cinch Dolby Surround	
+Dig Audio Out	
+Loudspeakers	
+Control Busses	
+Feature Slot	
+ITV Smart Port	
+Terr. Antenna in Guide + IR Blaster Jack	75 Ohms (F type)
<b>Connectors Front</b>	
+In Cinch (CVBS + St)	---
+In Cinch (CVBS+Mo)	
+Headphone Out	
<b>Connectors Side</b>	
+In Y/C + Cinch(CVBS+St)	
+In Y/C + Cinch Stereo	
+In Cinch (CVBS + St)	
+IN Cinch (CVBS + Mo + St)	X
+Headphone Out	
<b>Connectors Top</b>	
<b>Connectors Mechanical</b>	
<b>Styling</b>	
+Cabinet Name	3450
+Configuration	Symm
+Graphics/Logo's	Brand TEAC
+Cabinet Colour and Finish	
+Mechanics	
+Speaker Visibility	Standard
<b>General</b>	
+Segment	Standard 4:3
+Chassis	M13
+Software Delivery Mode	
+Software Version	
+Mains Voltage	240V
+Mains Frequency	50Hz
+Type Mains Cord	
Power Consumption (P)TV in On	
Power Consumption SB in Watts	Less than 6W
Power Consumption Semi SB in W	
+Power in "ON" for	
+Power in Standby for	
+Power in "OFF" for	
Weight (P)TV (incl. Packaging)	
Weight (P)TV (excl. Package)	
Weight AVUnit excl Packaging	
+INDICATION on BACKCOVER	
+Channel	

<b>Date:2003-8-5 14:50</b> <b>ProductView.....:</b> <b>Report by.....:</b>	<b>Product:@</b> <b>CT-M808SV</b>
<b>Specs / Products</b>	
<b>Final Equipment</b>	
+Packaging - methods	
+Documents and manuals	
+Languages DFU	
+Cables Supplied	
+Antenna Supplied	
+Stand Supplied	
+Aux Equipm Supplied	
Packaging - width cm	
Packaging - height cm	
Packaging - depth cm	
<b>Miscellaneous</b>	
+EAN Indication	
+Approbation	
+Tests	
+Local Integration	
<b>Various Perf. Param.</b>	
+Service Call-Rate	
<b>PIP/POP</b>	
+Type	No PIP/POP
+Features	n/a
<b>Digital Reception</b>	
+Transmission	
<b>Built-in Data System</b>	
+Text Standard	No
+(Tele)text Features	
+Nbr bckgrnd page / Mem Size	
+Text Technology	
+Digital Data handling	
+Program Guide	
<b>Built-in Clock/Timer</b>	
+Type	
+Features	
<b>Built-in Radio</b>	
+Type	
<b>Built-in PC display</b>	
+PC Synch	
+PC Control	
<b>Built-in DVD drive</b>	
+Type of Medium	
+Type of Deck	
<b>Phased Out Items</b>	
+Tuner/Frontend	
+Sensitivity	
+CRT EHT	
+Lightning Protection	
+Account	
+XX(Radio Antenna in)	
+Non Volatile Memory	
+In Y/C + Cinch(CVBS+Mo)	
Version of deck	



Item No.	Description	Quantity Req.	Designator	Remarks
08-HS46F1-M13C	ASS'Y - REMOTE HANDSET	1		
14-IRE05B-XX0	IR EMITTING DIODE TSAL6200	1	D1501	
18-CB0221-JNX	RES. C.F. 220 OHM 1/6W +/-5%	1	R1502	
18-CB0229-JNX	RES. C.F. 2.2 OHM 1/6W +/-5%	1	R1501	
25-HBB479-M1X	CAP. ELEC 4.7 UF 10V +/-20%	1	C1502	
40-M13SLF-RMA	P. C. B. REMOTE HANDSET BD	1		
45-COS455-KY0	CERAMIC RESONATOR 455KHZ	1	X1501	
49-HS46F0-00X	RUBBER PAD KEYS	1		
55-HS46FB-0HA	CASE LOWER - REMOTE HANDSET	1		
55-HS46FD-0HA	DOOR BATT. - REMOTE HANDSET	1		
55-HS46FT-0HA	CASE UPPER - REMOTE HANDSET	1		
58-HS46F2-MUI	INLAY REMOTE HANDSET	1		
63-B26060-BT2	S/T SCREW B 2.6 X 6 BT	1		
74-009022-60C	POLYBAG HANDSET (9CMX22CM)	1		
26-EBP101-JCX	CAP. CER 100PF 50V +/-5% CH	1	C1503	
67-X26968-0E2	BATT. TERMINAL (+/-)	1		
67-X31028-0E2	SPRING - BATTERY (-)	1		
67-X31029-0E2	SPRING - BATTERY (+)	1		
26-EBP101-JCX	CAP. CER 100PF 50V +/-5% CH	1	C1504	
41-WJ0060-B00	WIRE BARE JUMPER 6mm	1	J1501	
11-0BC337-0BX	TRANSISTOR (NPN) BC337-40	1	Q1501	
13-C73C03-02B	IC SC73C0302	1	IC1501	
08-03450T-CRN	ASS'Y - CRT BD	1		
10-1N4148-ABX	DIODE 1N4148 (SWITCHING)	1	D501	
10-1N4148-ABX	DIODE 1N4148 (SWITCHING)	1	D502	
10-1N4148-ABX	DIODE 1N4148 (SWITCHING)	1	L501	
11-A562TM-0BX	TRANSISTOR 2SA562TM-0	1	Q507	
11-SC1815-YBX	TRANSISTOR 2SC1815Y	1	Q502	
11-SC1815-YBX	TRANSISTOR 2SC1815Y	1	Q504	
11-SC1815-YBX	TRANSISTOR 2SC1815Y	1	Q506	
11-SC4544-OAX	TRANSISTOR 2SC4544	1	Q501	
11-SC4544-OAX	TRANSISTOR 2SC4544	1	Q503	
11-SC4544-OAX	TRANSISTOR 2SC4544	1	Q505	
18-CB0102-JNX	RES. C.F. 1K OHM 1/6W +/-5%	1	R515	
18-CB0272-JNX	RES. C.F. 2.7k OHM 1/6W +/-5%	1	R514	
18-CB0561-JNX	RES. C.F. 560 OHM 1/6W +/-5%	1	R501	
18-CB0561-JNX	RES. C.F. 560 OHM 1/6W +/-5%	1	R505	
18-CB0561-JNX	RES. C.F. 560 OHM 1/6W +/-5%	1	R510	

Item No.	Description	Quantity Req.	Designator	Remarks
18-CB0681-JNX	RES. C. F. 680 OHM 1/6W +/-5%	1	R502	
18-CB0681-JNX	RES. C. F. 680 OHM 1/6W +/-5%	1	R506	
18-CB0681-JNX	RES. C. F. 680 OHM 1/6W +/-5%	1	R509	
18-CB0681-JNX	RES. C. F. 680 OHM 1/6W +/-5%	1	R522	
18-CB0681-JNX	RES. C. F. 680 OHM 1/6W +/-5%	1	R503	
18-CB0681-JNX	RES. C. F. 680 OHM 1/6W +/-5%	1	R508	
18-CB0681-JNX	RES. C. F. 680 OHM 1/6W +/-5%	1	R513	
18-CB0681-JNX	RES. C. F. 680 OHM 1/6W +/-5%	1	R511	
18-FE0272-JNX	RES. M. O. 2. 7K OHM 1/2W +/-5%	1	R519	
18-FE0272-JNX	RES. M. O. 2. 7K OHM 1/2W +/-5%	1	R520	
18-FE0272-JNX	RES. M. O. 2. 7K OHM 1/2W +/-5%	1	R521	
18-FG0183-JHX	RES. M. O. 18K OHM 2W +/-5%	1	R516	
18-FG0183-JHX	RES. M. O. 18K OHM 2W +/-5%	1	R517	
18-FG0183-JHX	RES. M. O. 18K OHM 2W +/-5%	1	R518	
25-BCB471-MIX	CAP. ELEC 470 UF 16V +/-20%	1	C506	
25-BLA100-MIX	CAP. ELEC 10 UF 250V +/-20%	1	C504	
26-AMK182-KRX	CAP. CER. 1800PF 2KV +/-10% R	1	C505	
26-EBP103-ZFX	CAP. CER. 0.01UF 50V +80/-20% F	1	C508	
26-EBP103-ZFX	CAP. CER. 0.01UF 50V +80/-20% F	1	C509	
26-EBP391-JCX	CAP. CER. 390PF 50V +/-5% CH	1	C502	
26-EBP391-JCX	CAP. CER. 390PF 50V +/-5% CH	1	C501	
26-EBP471-JCX	CAP. CER. 470PF 50V +/-5% CH	1	C503	
34-R220K2-1BX	COIL CHOKE 22 UH +/-10%	1	L502	
35-237250-00X	FERR. BEAD HF70 4. 5X5. 0	2		FOR C508 (L505 & L506)
40-02501C-CRG	P. C. B. CRT BD	1		
41-WJ0050-B00	WIRE BARE JUMPER 5MM	1	L503	
41-WJ0050-B00	WIRE BARE JUMPER 5MM	1	L504	
41-WJ0060-B00	WIRE BARE JUMPER 6mm	1	R504	
41-WJ0060-B00	WIRE BARE JUMPER 6mm	1	R507	
41-WJ0060-B00	WIRE BARE JUMPER 6mm	1	R512	
41-WJ0060-B00	WIRE BARE JUMPER 6mm	1	J510	
41-WJ0075-B00	WIRE BARE JUMPER 7. 5MM	1	J503	
46-10967W-01X	PIN BASE *1 TJC1-1A	1		P501 FOR CRT GROUNDING HOUS.
46-30615H-04X	HS 4P24 460 F/W TJC3-4Y/SCN-4	1		P502 FOR M. BD P421
46-37030H-05X	HS 5P 2468#24 450 TJC3-5Y/SCN	1		P503 FOR M. BD P201
47-CRT004-XX0	CRT SOCKET GZS10-2-108	1	S501	
08-02918T-NIY	ASS'Y - NICAM BD	1		
11-SC1815-YBX	TRANSISTOR 2SC1815Y	1	Q1001	

Item No.	Description	Quantity Req.	Designator	Remarks
13-P3410G-8BP	IC MSP 3410G B8	1	IC1001	
18-CB0101-JNX	RES. C.F. 100 OHM 1/6W +/-5%	1	R1011	
18-CB0101-JNX	RES. C.F. 100 OHM 1/6W +/-5%	1	R1014	
18-CB0101-JNX	RES. C.F. 100 OHM 1/6W +/-5%	1	R1017	
18-CB0101-JNX	RES. C.F. 100 OHM 1/6W +/-5%	1	R1018	
18-CB0102-JNX	RES. C.F. 1K OHM 1/6W +/-5%	1	R1022	
18-CB0102-JNX	RES. C.F. 1K OHM 1/6W +/-5%	1	R1023	
18-CB0152-JNX	RES. C.F. 1.5k OHM 1/6W +/-5%	1	R1002	
18-CB0332-JNX	RES. C.F. 3.3k OHM 1/6W +/-5%	1	R1003	
18-CB0470-JNX	RES. C.F. 47 OHM 1/6W +/-5%	1	R1001	
18-CB0472-JNX	RES. C.F. 4.7k OHM 1/6W +/-5%	1	R1019	
18-CB0472-JNX	RES. C.F. 4.7k OHM 1/6W +/-5%	1	R1020	
18-CB0472-JNX	RES. C.F. 4.7k OHM 1/6W +/-5%	1	R1015	
26-ABC152-KBX	CAP. CER 1500 PF 50V +/-10% B	1	C1017	
26-ABC272-KBX	CAP. CER 2700 PF 50V +/-10% B	1	C1006	
26-ABC272-KBX	CAP. CER 2700 PF 50V +/-10% B	1	C1007	
26-ABC339-CZX	CAP. CER 3.3 PF 50V +/-0.25 SL	1	C1026	
26-ABC339-CZX	CAP. CER 3.3 PF 50V +/-0.25 SL	1	C1027	
26-EBP102-KBX	CAP. CER 1000 PF 50V +/-10% B	1	C1008	
26-EBP102-KBX	CAP. CER 1000 PF 50V +/-10% B	1	C1009	
26-EBP102-KBX	CAP. CER 1000 PF 50V +/-10% B	1	C1010	
26-EBP102-KBX	CAP. CER 1000 PF 50V +/-10% B	1	C1011	
26-EBP103-ZFX	CAP. CER 0.01UF 50V +80/-20% F	1	C1002	
26-EBP471-JCX	CAP. CER 470PF 50V +/-5% CH	1	C1018	
26-EBP560-JCX	CAP. CER 56PF 50V +/-5%	1	C1025	
26-EBP560-JCX	CAP. CER 56PF 50V +/-5%	1	C1024	
26-EBP560-JCX	CAP. CER 56PF 50V +/-5%	1	C1028	
27-MBC334-J0X	CAP. M.P.E 0.33UF 63V +/-5%	1	C1029	
27-MBC334-J0X	CAP. M.P.E 0.33UF 63V +/-5%	1	C1030	
27-PBC102-J0X	CAP. P.E 0.001UF 63V +/-5%	1	C1031	
34-R100J2-0EX	COIL PL - 10 UH +/-5%	1	L1001	
41-WJ0060-B00	WIRE BARE JUMPER 6mm	1	J1011	
41-WJ0065-B00	WIRE BARE JUMPER 6.5MM	1	J1003	
41-WJ0065-B00	WIRE BARE JUMPER 6.5MM	1	J1014	
41-WJ0075-B00	WIRE BARE JUMPER 7.5MM	1	J1001	
41-WJ0075-B00	WIRE BARE JUMPER 7.5MM	1	J1002	
41-WJ0090-B00	WIRE BARE JUMPER 9MM	1	J1009	
41-WJ0090-B00	WIRE BARE JUMPER 9MM	1	J1012	

Item No.	Description	Quantity Req.	Designator	Remarks
41-WJ0090-B00	WIRE BARE JUMPER 9MM	1	J1013	
41-WJ0090-B00	WIRE BARE JUMPER 9MM	1	J1010	
41-WJ0150-B00	WIRE BARE JUMPER 15MM	1	J1004	
41-WJ0150-B00	WIRE BARE JUMPER 15MM	1	J1005	
41-WJ0150-B00	WIRE BARE JUMPER 15MM	1	J1006	
41-WJ0150-B00	WIRE BARE JUMPER 15MM	1	J1007	
41-WJ0150-B00	WIRE BARE JUMPER 15MM	1	J1008	
45-OSC18M-4Y0	CRYSTAL 18.432M	1	X1001	
46-33079W-02X	PIN BASE *2 TJC3-2A	1	P1003	FOR P2 & P3
46-21550W-12X	HEADER *12 TS12B-SQ-1 L=10MM	1		P1001 FOR M.BD P1200
67-257870-1T0	BRACKET IF BD	1		
67-257870-2T0	BRACKET IF BD	1		
40-2918MT-NIB	P. C. B. NICAM BD	1		
18-CB0224-JNX	RES. C.F. 220k OHM 1/6W +/-5%	1	R1006	
18-CB0224-JNX	RES. C.F. 220k OHM 1/6W +/-5%	1	R1008	
11-SC1815-YBX	TRANSISTOR 2SC1815Y	1	Q1002	
11-SC1815-YBX	TRANSISTOR 2SC1815Y	1	Q1003	
41-WJ0150-B00	WIRE BARE JUMPER 15MM	1	J1015	
25-BCB100-MIX	CAP. ELEC 10 UF 16V +/-20%	1	C1003	
25-BCB100-MIX	CAP. ELEC 10 UF 16V +/-20%	1	C1014	
25-BCB100-MIX	CAP. ELEC 10 UF 16V +/-20%	1	C1015	
25-BCB100-MIX	CAP. ELEC 10 UF 16V +/-20%	1	C1016	
25-BCB100-MIX	CAP. ELEC 10 UF 16V +/-20%	1	C1022	
25-BCB100-MIX	CAP. ELEC 10 UF 16V +/-20%	1	C1033	
25-BCB100-MIX	CAP. ELEC 10 UF 16V +/-20%	1	C1034	
25-BCB220-MIX	CAP. ELEC 22 UF 16V +/-20%	1	C1032	
25-BCB470-MIX	CAP. ELEC 47 UF 16V +/-20%	1	C1001	
25-BCB470-MIX	CAP. ELEC 47 UF 16V +/-20%	1	C1013	
25-BFB109-MIX	CAP. ELEC 1 UF 50V +/-20%	1	C1005	
25-BFB339-MIX	CAP. ELEC 3.3 UF 50V +/-20%	1	C1020	
26-EBP103-ZFX	CAP. CER 0.01UF 50V +80/-20% F	1	C1004	
26-EBP103-ZFX	CAP. CER 0.01UF 50V +80/-20% F	1	C1012	
26-EBP103-ZFX	CAP. CER 0.01UF 50V +80/-20% F	1	C1019	
26-EBP103-ZFX	CAP. CER 0.01UF 50V +80/-20% F	1	C1021	
26-EBP103-ZFX	CAP. CER 0.01UF 50V +80/-20% F	1	C1023	
08-03450T-AVY	ASS'Y - SIDE AV BD	1		
40-3450MT-SIA	P. C. B. SIDE AV BD	1		
41-WJ0060-B00	WIRE BARE JUMPER 6mm	1	J902	

Item No.	Description	Quantity Req.	Designator	Remarks
41-WJ0130-B00	WIRE BARE JUMPER 13MM	1	J901	
46-35048H-06X	HS 6P 2468#24 600 TJC3-6Y/SCN-6Y	1		P904 FOR M. BD P003
47-RCA022-XX0	RCA SOCKET RCA-	1	P902	
62-2161SB-OHA	SIDE JACK PLATE	1		
63-W30100-AB4	S/T SCREW W 3 X 10 AB	2		FOR SIDE JACK PCB MTG
67-388190-0G0	STATOR (FOR S-AV PCB)	1		FOR SIDE JACK PCB MTG
08-03450T-FBY	ASS'Y - FRONT CTL BD	1		
18-CB0152-JNX	RES. C. F. 1.5k OHM 1/6W +/-5%	1	R023A	
18-CB0153-JNX	RES. C. F. 15k OHM 1/6W +/-5%	1	R027A	
18-CB0182-JNX	RES. C. F. 1.8K OHM 1/6W +/-5%	1	R024A	
18-CB0332-JNX	RES. C. F. 3.3k OHM 1/6W +/-5%	1	R025A	
18-CB0473-JNX	RES. C. F. 47K OHM 1/6W +/-5%	1	R028A	
18-CB0822-JNX	RES. C. F. 8.2K OHM 1/6W +/-5%	1	R026A	
46-35168H-02X	HS 2P 2468#24 200 TJC3-2Y/JC25-2Y	1		P001 FOR MAIN BD P003A
48-TAC026-XX0	TACT SWITCH KFC-A06A-12	1	S001	
48-TAC026-XX0	TACT SWITCH KFC-A06A-12	1	S002	
48-TAC026-XX0	TACT SWITCH KFC-A06A-12	1	S003	
48-TAC026-XX0	TACT SWITCH KFC-A06A-12	1	S004	
48-TAC026-XX0	TACT SWITCH KFC-A06A-12	1	S005	
48-TAC026-XX0	TACT SWITCH KFC-A06A-12	1	S006	
48-TAC026-XX0	TACT SWITCH KFC-A06A-12	1	S007	
40-3450MT-FBA	P. C. B. FRONT CTL BD	1		
08-03450T-IRY	ASS'Y - IR BD	1		
11-IRR001-2X1	IR RECEIVER MODULE HRM138AA1700	1	IR001	
14-LED05R-XX1	LED RED FB205	1	D080	
18-CB0102-JNX	RES. C. F. 1K OHM 1/6W +/-5%	1	R090	
18-CB0470-JNX	RES. C. F. 47 OHM 1/6W +/-5%	1	R089	
18-CB0471-JNX	RES. C. F. 470 OHM 1/6W +/-5%	1	R092	
40-3450MT-IRA	P. C. B. IR RECEIVE BD	1		
41-WJ0060-B00	WIRE BARE JUMPER 6mm	1	J080	
46-37033H-05X	HS 5P 2468#24 320 TJC3-5Y/SCN	1		P005 FOR MAIN BD P001
25-BCB470-MIX	CAP. ELEC 47 UF 16V +/-20%	1	C080	
62-388170-OHA	BRACKET	1		FOR IR
62-388160-OHA	LED BRACKET	1		
08-03450T-SWY	ASS'Y - SWITCH BD	1		
40-3450MT-SWA	P. C. B. SWITCH BD	1		
46-28559W-02X	PIN BASE *2 TJCI-2A	1	P801	
46-28559W-02X	PIN BASE *2 TJCI-2A	1	P801A	

Item No.	Description	Quantity Req.	Designator	Remarks
46-33363H-02X	HS 2P 1617#22 450 TJCI-1Y/TJCI-2Y	1		FOR PWR SW. BD (P801A) & PWR PARTS
48-POW007-XX2	POWER SUPPLY SWITCH KDC-A04-B2	1	1SW801	
51-JC0243-0CH01	POWER CORD SAA PLUG W/HOUSING	1		
64-B30050-104	M/C SCREW B 3 X 5	2		FOR POWER SWITCH TO 67-02167B-0E0
67-02167B-0E0	POWER SWITCH BRACKET	1		FOR POWER SWITCH MTG
08-03450T-PW1	ASS'Y - POWER PARTS	1		
10-00EU1Z-FBX	DIODE EU1Z (FAST RECOVERY)	1	D804	
10-00EU1Z-FBX	DIODE EU1Z (FAST RECOVERY)	1	D805	
10-00EU1Z-FBX	DIODE EU1Z (FAST RECOVERY)	1	D806	
10-0EU2YX-FBX	DIODE EU2YX (FAST RECOVERY)	1	D833	
10-0EU2YX-FBX	DIODE EU2YX (FAST RECOVERY)	1	D834	
10-0FR104-FBX	DIODE FR104 (FAST RECTIFIER)	1	D832	
10-0RU4AM-F0X	DIODE RU4AM (FAST RECOVERY)	1	D831	
10-0RU4YX-F0X	DIODE RU4YX (FAST RECOVERY)	1	D830	
10-1N4004-EBX	DIODE 1N4004 (RECTIFIER)	1	D843	
10-1N4148-ABX	DIODE 1N4148 (SWITCHING)	1	D842	
10-79C10V-DBX	DIODE ZENER 10V 1/2W 5%	1	D840	
10-79C16V-DBX	DIODE ZENER 16V 1/2W 5%	1	D807	
10-79C2V4-DBX	DIODE ZENER 2V4 1/2W 5%	1	D841	
10-79C3V9-DBX	DIODE ZENER 3V9 1/2W 5%	1	D839	
10-D3SB60-H7X	DIODE D3SB60 (BRIDGE RECT.)	1	DB801	
10-HER108-FBX	DIODE HER108	1	D803	
11-0BF422-0BX	TRANSISTOR BF422 (NPN)	1	Q831	
11-SB649A-CAX	TRANSISTOR HSB649A-C	1	Q830	
11-SC4793-0AX	TRANSISTOR 2SC4793	1	Q801	
13-00SE14-0NS	IC SE140N	1	IC831	
13-0HPC92-2CP	PHOTO COUPLER HPC922-C	1	IC802	
13-L7809C-VAP	IC L7809CV	1	IC851	
13-STRF66-56P	IC STR-F6656	1	IC801	
13-UA7805-C0S	IC UA7805C	1	IC841	
18-CB0152-JNX	RES. C.F. 1.5k OHM 1/6W +/-5%	1	R833	
18-CB0223-JNX	RES. C.F. 22k OHM 1/6W +/-5%	1	R840	
18-CB0332-JNX	RES. C.F. 3.3k OHM 1/6W +/-5%	1	R838	
18-CB0392-JNX	RES. C.F. 3.9K OHM 1/6W +/-5%	1	R841	
18-CD0102-JNX	RES. C.F. 1k OHM 1/4W +/-5%	1	R805	
18-CD0102-JNX	RES. C.F. 1k OHM 1/4W +/-5%	1	R808	
18-CD0272-JNX	RES. C.F. 2.7K OHM 1/4W +/-5%	1	R813	
18-CD0470-JNX	RES. C.F. 47 OHM 1/4W +/-5%	1	R809	

Item No.	Description	Quantity Req.	Designator	Remarks
18-CD0479-JNX	RES. C. F. 4. 7 OHM 1/4W +/-5%	1	R811	
18-CD0560-JNX	RES. C. F. 56 OHM 1/4W +/-5%	1	R837	
18-CD0829-JNX	RES. C. F. 8. 2 OHM 1/4W +/-5%	1	R842	
18-CE0105-JNX	RES. C. F. 1M OHM 1/2W +/-5%	1	R806	
18-CE0105-JNX	RES. C. F. 1M OHM 1/2W +/-5%	1	R806A	
18-CE0563-JNX	RES. C. F. 56k OHM 1/2W +/-5%	1	R803	
18-CE0563-JNX	RES. C. F. 56k OHM 1/2W +/-5%	1	R804	
18-FG0223-JHX	RES. M. O. 22K OHM 2W +/-5%	1	R836	
18-FG0333-JHX	RES. M. O. 33K OHM 2W +/-5%	1	R810	
18-FG0333-JHX	RES. M. O. 33K OHM 2W +/-5%	1	R839	
18-KE0105-JN3	RES. H. VOLT. CC 1M OHM 1/2W +/-5%	1	R801.	
18-KF0825-JH3	RES. H. VOLT. CC 8. 2M OHM 1W +/-5%	1	R835	
18-RG0138-JHX	RES. WIRE ROUND 0. 13 OHM 2W +/-5%	1	R807	
18-RG0228-JHX	RES. WIRE ROUND 0. 22 OHM 2W +/-5%	1	R830	
22-PTC140-XX0	POSISTOR 14 OHM	1	RT801	
22-NTC479-XX0	NTC 4. 7 OHM +/-18% NTC4. 7D2-14	1	R802	
25-BCA102-MIX	CAP. ELEC 1000 UF 16V +/-20%	1	C846	
25-BCB221-MIX	CAP. ELEC 220 UF 16V +/-20%	1	C855	
25-BCB331-MIX	CAP. ELEC 330 UF 16V +/-20%	1	C843	
25-BCB470-MIX	CAP. ELEC 47 UF 16V +/-20%	1	C849	
25-BDB470-MIX	CAP. ELEC 47 UF 25V +/-20%	1	C809	
25-BEA102-MIX	CAP. ELEC 1000 UF 35V +/-20%	1	C832	
25-BKA100-MIX	CAP. ELEC 10 UF 200V +/-20%	1	C808	
25-BKA100-MIX	CAP. ELEC 10 UF 200V +/-20%	1	C838	
25-BKJ221-MIX	CAP. ELEC 220 UF 200V +/-20%	1	C835	
25-BMJ221-MIX	CAP. ELEC 220 UF 400V +/-20%	1	C806	
26-AIC221-KBX	CAP. CER 220 PF 500V +/-10% B	1	C830	
26-AIC221-KBX	CAP. CER 220 PF 500V +/-10% B	1	C833	
26-AIC221-KBX	CAP. CER 220 PF 500V +/-10% B	1	C836	
26-AIC221-KBX	CAP. CER 220 PF 500V +/-10% B	1	C841	
26-AIC221-KBX	CAP. CER 220 PF 500V +/-10% B	1	C844	
26-AIC221-KBX	CAP. CER 220 PF 500V +/-10% B	1	C811A	
26-AIM103-KBX	CAP. CER 0. 01UF 500V +/-10% B	1	C805	
26-AIM103-KBX	CAP. CER 0. 01UF 500V +/-10% B	1	C834	
26-AIM103-KBX	CAP. CER 0. 01UF 500V +/-10% B	1	C837	
26-AKK222-KRX	CAP. CER 2200 PF 1KV +/-10% R	1	C814	
26-AMK221-JZX	CAP. CER 220pF 2KV +/-5% SL	1		FOR P2 - P3 OF IC801
26-AMK221-JZX	CAP. CER 220pF 2KV +/-5% SL	1	C807	

Item No.	Description	Quantity Req.	Designator	Remarks
26-APK222-ME4	CAP. CER 2200PF 400VAC+/-20% E	1	C839	
26-APK471-KB4	CAP. CER 470 pF 400VAC +/-10%	1	C812	
26-APK471-KB4	CAP. CER 470 pF 400VAC +/-10%	1	C813	
26-AQK472-ZFX	CAP. CER 4700PF 250VAC+80-20%F	1	C803	
26-AQK472-ZFX	CAP. CER 4700PF 250VAC+80-20%F	1	C804	
26-EBP102-KBX	CAP. CER 1000 PF 50V +/-10% B	1	C811	
26-EBP103-ZFX	CAP. CER 0.01UF 50V +80/-20% F	1	C815	
26-EBP103-ZFX	CAP. CER 0.01UF 50V +80/-20% F	1	C831	
26-EBP103-ZFX	CAP. CER 0.01UF 50V +80/-20% F	1	C842	
26-EBP103-ZFX	CAP. CER 0.01UF 50V +80/-20% F	1	C845	
26-EBP103-ZFX	CAP. CER 0.01UF 50V +80/-20% F	1	C847	
26-EBP103-ZFX	CAP. CER 0.01UF 50V +80/-20% F	1	C848	
26-EBP103-ZFX	CAP. CER 0.01UF 50V +80/-20% F	1	C854	
26-EBP103-ZFX	CAP. CER 0.01UF 50V +80/-20% F	1	C856	
26-EBP221-JCX	CAP. CER 220PF 50V +/-5% CH	1	C810	
27-AQT224-MV3	CAP. M.PP 0.22UF 250VAV +/-20%	1	C802	
27-AQT224-MV3	CAP. M.PP 0.22UF 250VAV +/-20%	1	C801	
27-MHM104-KOX	CAP. METAL P. E. 0.1UF 400V 10%	1	C802A	
34-A608K6-1BX	COIL CHOKE 0.6 UH +/-10%	1	L801	
34-R220K2-1BX	COIL CHOKE 22 UH +/-10%	1	L838	
35-237250-00X	FERR. BEAD HF70 4.5X5.0	2		FOR D804
35-237250-00X	FERR. BEAD HF70 4.5X5.0	2		FOR D831
35-237250-00X	FERR. BEAD HF70 4.5X5.0	2		FOR D830
35-237250-00X	FERR. BEAD HF70 4.5X5.0	2		FOR D832
35-237250-00X	FERR. BEAD HF70 4.5X5.0	2		FOR D833
35-237250-00X	FERR. BEAD HF70 4.5X5.0	2		FOR D834
36-LIF001-XX0	LINE FILTER LCL1602	1	T803	
36-LIF003-XX0	LINE FILTER LCL-BT3502-TCL	1	T801	
36-TRF001-CX1	TRANSFORMER CONV. KB49C1566	1	T802	
41-WJ0050-B00	WIRE BARE JUMPER 5MM	1	J802	
41-WJ0050-B00	WIRE BARE JUMPER 5MM	1	J804	
41-WJ0050-B00	WIRE BARE JUMPER 5MM	1	J805	
41-WJ0050-B00	WIRE BARE JUMPER 5MM	1	J806	
41-WJ0050-B00	WIRE BARE JUMPER 5MM	1	J807	
41-WJ0050-B00	WIRE BARE JUMPER 5MM	1	J808	
41-WJ0065-B00	WIRE BARE JUMPER 6.5MM	1	J451	
41-WJ0075-B00	WIRE BARE JUMPER 7.5MM	1	J471	
41-WJ0100-B00	WIRE BARE JUMPER 10MM	1	J371	



Item No.	Description	Quantity Req.	Designator	Remarks
41-WJ0100-B00	WIRE BARE JUMPER 10MM	1	J654	
41-WJ0100-B00	WIRE BARE JUMPER 10MM	1	J655	
41-WJ0125-B00	WIRE BARE JUMPER 12.5MM	1	J492	
41-WJ0125-B00	WIRE BARE JUMPER 12.5MM	1	J361	
41-WJ0125-B00	WIRE BARE JUMPER 12.5MM	1	R831	
41-WJ0145-B00	WIRE BARE JUMPER 14.5MM	1	J491	
41-WJ0150-B00	WIRE BARE JUMPER 15MM	1	R812	
41-WJ0155-B00	WIRE BARE JUMPER 15.5MM	1	J561	
41-WJ0155-B00	WIRE BARE JUMPER 15.5MM	1	J562	
41-WJ0175-B00	WIRE BARE JUMPER 17.5MM	1	J271	
41-WJ0175-B00	WIRE BARE JUMPER 17.5MM	1	J281	
41-WJ0180-B00	WIRE BARE JUMPER 18MM	1	J353	
41-WJ0190-B00	WIRE BARE JUMPER 19MM	1	J354	
41-WJ0200-B00	WIRE BARE JUMPER 20MM	1	J381	
46-10962W-02X	PIN BASE *2 TJC2-2A	1		P801 F FOR DEGAUSSING COIL
46-28559W-02X	PIN BASE *2 TJCI-2A	1		P802 F FOR POWER SWITCH BD
50-03150D-IUS7	FUSE 250V/3.15A	1	F801	
64-B30120-104	M/C SCREW B 3 X 12	1		FOR IC 801
64-P30080-104	M/C SCREW P 3 X 8	1		FOR IC841
64-P30080-104	M/C SCREW P 3 X 8	1		FOR IC851
64-P30080-104	M/C SCREW P 3 X 8	2		FOR IC 801
65-Z30050-23M	NUT M 3	1		FOR IC801
66-20516X-0B0	FUSE HOLDER	2		FOR F801
66-343730-0B0	HOLLOW RIVET 1.6X3.0XL3.2	4		FOR T802
66-343730-0B0	HOLLOW RIVET 1.6X3.0XL3.2	2		FOR D831
66-343730-0B0	HOLLOW RIVET 1.6X3.0XL3.2	2		FOR RT801
66-343730-0B0	HOLLOW RIVET 1.6X3.0XL3.2	2		FOR L838
66-343730-0B0	HOLLOW RIVET 1.6X3.0XL3.2	2		FOR DB801
66-343740-0B0	HOLLOW RIVET (2.3mmx4.0mmx3.5mm)	2		FOR C806
66-343740-0B0	HOLLOW RIVET (2.3mmx4.0mmx3.5mm)	2		FOR P801
66-343740-0B0	HOLLOW RIVET (2.3mmx4.0mmx3.5mm)	2		FOR D830
67-H10918-4M2	HEAT SINK	2		FOR IC841 & IC851
67-H29550-8A0	HEAT SINK	1		FOR IC801
67-H34692-0A0	HEAT SINK	1		FOR IC801
08-34504T-MAN	ASS'Y - MAIN BD	1		
07-389V15-NX4	TUNER UV1355-BK2 (BG/HB/IEC/5V	1	TU101	
10-0BY228-F0X	DIODE BY228	1	D411	
10-0FR104-FBX	DIODE FR104 (FAST RECTIFIER)	1	D412	

Item No.	Description	Quantity Req.	Designator	Remarks
10-0FR104-FBX	DIODE FR104 (FAST RECTIFIER)	1	D421	
10-0FR104-FBX	DIODE FR104 (FAST RECTIFIER)	1	D441	
10-0FR104-FBX	DIODE FR104 (FAST RECTIFIER)	1	D431	
10-1N4001-EBX	DIODE 1N4001 (RECTIFIER)	1	D301	
41-WJ0075-B00	WIRE BARE JUMPER 7.5MM	1	D041	
10-1N4148-ABX	DIODE 1N4148 (SWITCHING)	1	D630	
41-WJ0075-B00	WIRE BARE JUMPER 7.5MM	1	D042	
41-WJ0075-B00	WIRE BARE JUMPER 7.5MM	1	D043	
41-WJ0075-B00	WIRE BARE JUMPER 7.5MM	1	D044	
10-1N4148-ABX	DIODE 1N4148 (SWITCHING)	1	D211	
10-1N4148-ABX	DIODE 1N4148 (SWITCHING)	1	D212	
10-1N4148-ABX	DIODE 1N4148 (SWITCHING)	1	D213	
10-1N4148-ABX	DIODE 1N4148 (SWITCHING)	1	D221	
10-1N4148-ABX	DIODE 1N4148 (SWITCHING)	1	D308	
10-1N4148-ABX	DIODE 1N4148 (SWITCHING)	1	D223	
10-1N4148-ABX	DIODE 1N4148 (SWITCHING)	1	D280	
10-1N4148-ABX	DIODE 1N4148 (SWITCHING)	1	D711	
10-1N4148-ABX	DIODE 1N4148 (SWITCHING)	1	D721	
10-1N4148-ABX	DIODE 1N4148 (SWITCHING)	1	D632	
10-79C12V-DBX	DIODE ZENER 12V 1/2W 5%	1	D731	
10-79C12V-DBX	DIODE ZENER 12V 1/2W 5%	1	D732	
10-79C4V7-DBX	DIODE ZENER 4V7 1/2W 5%	1	D222	
10-79C5V1-DBX	DIODE ZENER 5V1 1/2W 5%	1	D061	
10-79C5V1-DBX	DIODE ZENER 5V1 1/2W 5%	1	D101	
10-79C8V2-DBX	DIODE ZENER 8V2 1/2W 5%	1	D471	
10-79C8V2-DBX	DIODE ZENER 8V2 1/2W 5%	1	D240	
10-PC574J-DJX	DIODE ZENER UPC 574J	1	D111	
11-0BC337-OBX	TRANSISTOR (NPN) BC337-40	1	Q062	
11-2N3904-OBX	TRANSISTOR 2N3904 (NPN)	1	Q091	
11-DD1556-OAX	TRANSISTOR 3DD1556	1	Q412	
11-DD2603-RAX	TRANSISTOR 3DD2603-R	1	Q722	
11-SAI015-YBX	TRANSISTOR 2SA1015Y	1	Q061	
11-SAI015-YBX	TRANSISTOR 2SA1015Y	1	Q241	
11-SAI015-YBX	TRANSISTOR 2SA1015Y	1	Q721	
11-SAI015-YBX	TRANSISTOR 2SA1015Y	1	Q633	
11-SAI015-YBX	TRANSISTOR 2SA1015Y	1	Q934	
11-SAI015-YBX	TRANSISTOR 2SA1015Y	1	Q211	
11-SAI015-YBX	TRANSISTOR 2SA1015Y	1	Q242	

Item No.	Description	Quantity Req.	Designator	Remarks
11-SC1815-YBX	TRANSISTOR 2SC1815Y	1	Q001	
11-SC1815-YBX	TRANSISTOR 2SC1815Y	1	Q002	
11-SC1815-YBX	TRANSISTOR 2SC1815Y	1	Q031	
11-SC1815-YBX	TRANSISTOR 2SC1815Y	1	Q051	
11-SC1815-YBX	TRANSISTOR 2SC1815Y	1	Q251	
11-SC1815-YBX	TRANSISTOR 2SC1815Y	1	Q252	
11-SC1815-YBX	TRANSISTOR 2SC1815Y	1	Q261	
11-SC1815-YBX	TRANSISTOR 2SC1815Y	1	Q451	
11-SC1815-YBX	TRANSISTOR 2SC1815Y	1	Q631	
11-SC1815-YBX	TRANSISTOR 2SC1815Y	1	Q711	
11-SC1815-YBX	TRANSISTOR 2SC1815Y	1	Q931	
11-SC1815-YBX	TRANSISTOR 2SC1815Y	1	Q932	
11-SC1815-YBX	TRANSISTOR 2SC1815Y	1	Q933	
11-SC1815-YBX	TRANSISTOR 2SC1815Y	1	Q963	
11-SC1815-YBX	TRANSISTOR 2SC1815Y	1	Q964	
11-SC3779-DBX	TRANSISTOR 2SC3779D (RF AMPL)	1	Q121	
11-SC4544-OAX	TRANSISTOR 2SC4544	1	Q401	
11-SK2541-OBX	FET 2SK2541 (N-CHANNEL)	1	Q052	
11-SK2541-OBX	FET 2SK2541 (N-CHANNEL)	1	Q212	
13-000040-52P	IC 4052	1	IC961	
13-000040-52P	IC 4052	1	IC962	
13-00M24C-08P	IC EEPROM 8K M24C08	1	IC002	
13-0TA842-7KS	IC TA8427K	1	IC301	
13-0TDA26-16S	IC TDA2616 (AUDIO O/P)	1	IC601	
13-A18V01-TOP	IC TCL-A18V01-T0	1	IC001	
13-TB1240-ANP	IC TB1240AN	1	IC201	
18-CB0101-JNX	RES. C.F. 100 OHM 1/6W +/-5%	1	R003	
18-CB0101-JNX	RES. C.F. 100 OHM 1/6W +/-5%	1	R006	
18-CB0101-JNX	RES. C.F. 100 OHM 1/6W +/-5%	1	R007	
18-CB0101-JNX	RES. C.F. 100 OHM 1/6W +/-5%	1	R015	
18-CB0101-JNX	RES. C.F. 100 OHM 1/6W +/-5%	1	R016	
18-CB0101-JNX	RES. C.F. 100 OHM 1/6W +/-5%	1	R065	
18-CB0101-JNX	RES. C.F. 100 OHM 1/6W +/-5%	1	R073	
18-CB0101-JNX	RES. C.F. 100 OHM 1/6W +/-5%	1	R075	
18-CB0101-JNX	RES. C.F. 100 OHM 1/6W +/-5%	1	R241	
18-CB0101-JNX	RES. C.F. 100 OHM 1/6W +/-5%	1	R253	
18-CB0102-JNX	RES. C.F. 1K OHM 1/6W +/-5%	1	R062	
18-CB0102-JNX	RES. C.F. 1K OHM 1/6W +/-5%	1	R067	

Item No.	Description	Quantity Req.	Designator	Remarks
18-CB0102-JNX	RES. C.F. 1K OHM 1/6W +/-5%	1	R071	
18-CB0102-JNX	RES. C.F. 1K OHM 1/6W +/-5%	1	R091	
18-CB0102-JNX	RES. C.F. 1K OHM 1/6W +/-5%	1	R124	
18-CB0102-JNX	RES. C.F. 1K OHM 1/6W +/-5%	1	R220	
18-CB0102-JNX	RES. C.F. 1K OHM 1/6W +/-5%	1	R243	
18-CB0102-JNX	RES. C.F. 1K OHM 1/6W +/-5%	1	R269	
18-CB0102-JNX	RES. C.F. 1K OHM 1/6W +/-5%	1	R271	
18-CB0102-JNX	RES. C.F. 1K OHM 1/6W +/-5%	1	R301	
18-CB0102-JNX	RES. C.F. 1K OHM 1/6W +/-5%	1	R304	
18-CB0102-JNX	RES. C.F. 1K OHM 1/6W +/-5%	1	R451	
18-CB0102-JNX	RES. C.F. 1K OHM 1/6W +/-5%	1	R911	
18-CB0102-JNX	RES. C.F. 1K OHM 1/6W +/-5%	1	R912	
18-CB0102-JNX	RES. C.F. 1K OHM 1/6W +/-5%	1	R921	
18-CB0102-JNX	RES. C.F. 1K OHM 1/6W +/-5%	1	R922	
18-CB0102-JNX	RES. C.F. 1K OHM 1/6W +/-5%	1	R936	
18-CB0102-JNX	RES. C.F. 1K OHM 1/6W +/-5%	1	R938	
18-CB0102-JNX	RES. C.F. 1K OHM 1/6W +/-5%	1	R939	
18-CB0102-JNX	RES. C.F. 1K OHM 1/6W +/-5%	1	R945	
18-CB0102-JNX	RES. C.F. 1K OHM 1/6W +/-5%	1	R946	
18-CB0102-JNX	RES. C.F. 1K OHM 1/6W +/-5%	1	R947	
18-CB0102-JNX	RES. C.F. 1K OHM 1/6W +/-5%	1	R948	
18-CB0102-JNX	RES. C.F. 1K OHM 1/6W +/-5%	1	R966	
18-CB0102-JNX	RES. C.F. 1K OHM 1/6W +/-5%	1	R968	
18-CB0103-JNX	RES. C.F. 10K OHM 1/6W +/-5%	1	R005	
18-CB0103-JNX	RES. C.F. 10K OHM 1/6W +/-5%	1	R017	
18-CB0103-JNX	RES. C.F. 10K OHM 1/6W +/-5%	1	R029	
18-CB0103-JNX	RES. C.F. 10K OHM 1/6W +/-5%	1	R031	
18-CB0103-JNX	RES. C.F. 10K OHM 1/6W +/-5%	1	R051	
18-CB0103-JNX	RES. C.F. 10K OHM 1/6W +/-5%	1	R054	
18-CB0103-JNX	RES. C.F. 10K OHM 1/6W +/-5%	1	R055	
18-CB0103-JNX	RES. C.F. 10K OHM 1/6W +/-5%	1	R061	
18-CB0103-JNX	RES. C.F. 10K OHM 1/6W +/-5%	1	R101	
18-CB0103-JNX	RES. C.F. 10K OHM 1/6W +/-5%	1	R102	
18-CB0103-JNX	RES. C.F. 10K OHM 1/6W +/-5%	1	R225	
18-CB0103-JNX	RES. C.F. 10K OHM 1/6W +/-5%	1	R633	
18-CB0103-JNX	RES. C.F. 10K OHM 1/6W +/-5%	1	R716	
18-CB0103-JNX	RES. C.F. 10K OHM 1/6W +/-5%	1	R757	
18-CB0103-JNX	RES. C.F. 10K OHM 1/6W +/-5%	1	R960	

Item No.	Description	Quantity Req.	Designator	Remarks
18-CB0103-JNX	RES. C.F. 10K OHM 1/6W +/-5%	1	R961	
18-CB0103-JNX	RES. C.F. 10K OHM 1/6W +/-5%	1	R962	
18-CB0103-JNX	RES. C.F. 10K OHM 1/6W +/-5%	1	R989	
18-CB0103-JNX	RES. C.F. 10K OHM 1/6W +/-5%	1	R012A	
18-CB0103-JNX	RES. C.F. 10K OHM 1/6W +/-5%	1	R237	
18-CB0104-JNX	RES. C.F. 100K OHM 1/6W +/-5%	1	R053	
18-CB0104-JNX	RES. C.F. 100K OHM 1/6W +/-5%	1	R206	
18-CB0104-JNX	RES. C.F. 100K OHM 1/6W +/-5%	1	R056	
18-CB0104-JNX	RES. C.F. 100K OHM 1/6W +/-5%	1	R205	
18-CB0104-JNX	RES. C.F. 100K OHM 1/6W +/-5%	1	R965	
18-CB0104-JNX	RES. C.F. 100K OHM 1/6W +/-5%	1	R967	
18-CB0106-JNX	RES. C.F. 10M OHM 1/6W +/-5%	1	R116	
18-CB0123-JNX	RES. C.F. 12k OHM 1/6W +/-5%	1	R244	
18-CB0123-JNX	RES. C.F. 12k OHM 1/6W +/-5%	1	R951	
18-CB0123-JNX	RES. C.F. 12k OHM 1/6W +/-5%	1	R452	
18-CB0124-JNX	RES. C.F. 120K OHM 1/6W +/-5%	1	R287	
18-CB0151-JNX	RES. C.F. 150 OHM 1/6W +/-5%	1	R127	
18-CB0151-JNX	RES. C.F. 150 OHM 1/6W +/-5%	1	R934	
18-CB0151-JNX	RES. C.F. 150 OHM 1/6W +/-5%	1	R935	
18-CB0151-JNX	RES. C.F. 150 OHM 1/6W +/-5%	1	R994	
18-CB0152-JNX	RES. C.F. 1.5k OHM 1/6W +/-5%	1	R204	
18-CB0152-JNX	RES. C.F. 1.5k OHM 1/6W +/-5%	1	R212	
18-CB0152-JNX	RES. C.F. 1.5k OHM 1/6W +/-5%	1	R213	
18-CB0152-JNX	RES. C.F. 1.5k OHM 1/6W +/-5%	1	R214	
18-CB0152-JNX	RES. C.F. 1.5k OHM 1/6W +/-5%	1	R063	
18-CB0153-JNX	RES. C.F. 15k OHM 1/6W +/-5%	1	R057	
18-CB0153-JNX	RES. C.F. 15k OHM 1/6W +/-5%	1	R072	
18-CB0153-JNX	RES. C.F. 15k OHM 1/6W +/-5%	1	R112	
18-CB0153-JNX	RES. C.F. 15k OHM 1/6W +/-5%	1	R113	
18-CB0153-JNX	RES. C.F. 15k OHM 1/6W +/-5%	1	R987	
18-CB0153-JNX	RES. C.F. 15k OHM 1/6W +/-5%	1	R632A	
18-CB0153-JNX	RES. C.F. 15k OHM 1/6W +/-5%	1	R288	
18-CB0153-JNX	RES. C.F. 15k OHM 1/6W +/-5%	1	R308	
18-CB0181-JNX	RES. C.F. 180 OHM 1/6W +/-5%	1	R123	
18-CB0182-JNX	RES. C.F. 1.8K OHM 1/6W +/-5%	1	R715	
18-CB0201-JNX	RES. C.F. 200 OHM 1/6W +/-5%	1	R993	
18-CB0221-JNX	RES. C.F. 220 OHM 1/6W +/-5%	1	R012	
18-CB0221-JNX	RES. C.F. 220 OHM 1/6W +/-5%	1	R203	

Item No.	Description	Quantity Req.	Designator	Remarks
18-CB0221-JNX	RES. C.F. 220 OHM 1/6W +/-5%	1	R215	
18-CB0221-JNX	RES. C.F. 220 OHM 1/6W +/-5%	1	R216	
18-CB0221-JNX	RES. C.F. 220 OHM 1/6W +/-5%	1	R217	
18-CB0221-JNX	RES. C.F. 220 OHM 1/6W +/-5%	1	R255	
18-CB0221-JNX	RES. C.F. 220 OHM 1/6W +/-5%	1	R261	
18-CB0221-JNX	RES. C.F. 220 OHM 1/6W +/-5%	1	R401	
18-CB0222-JNX	RES. C.F. 2.2k OHM 1/6W +/-5%	1	R041	
18-CB0222-JNX	RES. C.F. 2.2k OHM 1/6W +/-5%	1	R042	
18-CB0222-JNX	RES. C.F. 2.2k OHM 1/6W +/-5%	1	R043	
18-CB0222-JNX	RES. C.F. 2.2k OHM 1/6W +/-5%	1	R044	
18-CB0222-JNX	RES. C.F. 2.2k OHM 1/6W +/-5%	1	R953	
18-CB0222-JNX	RES. C.F. 2.2k OHM 1/6W +/-5%	1	R954	
18-CB0222-JNX	RES. C.F. 2.2k OHM 1/6W +/-5%	1	R713	
18-CB0222-JNX	RES. C.F. 2.2k OHM 1/6W +/-5%	1	R914	
18-CB0222-JNX	RES. C.F. 2.2k OHM 1/6W +/-5%	1	R924	
18-CB0222-JNX	RES. C.F. 2.2k OHM 1/6W +/-5%	1	R972	
18-CB0222-JNX	RES. C.F. 2.2k OHM 1/6W +/-5%	1	R982	
18-CB0222-JNX	RES. C.F. 2.2k OHM 1/6W +/-5%	1	R988	
18-CB0222-JNX	RES. C.F. 2.2k OHM 1/6W +/-5%	1	R991	
18-CB0222-JNX	RES. C.F. 2.2k OHM 1/6W +/-5%	1	D215	
18-CB0222-JNX	RES. C.F. 2.2k OHM 1/6W +/-5%	1	D631	
18-CB0222-JNX	RES. C.F. 2.2k OHM 1/6W +/-5%	1	R218	
18-CB0222-JNX	RES. C.F. 2.2k OHM 1/6W +/-5%	1	R242	
18-CB0223-JNX	RES. C.F. 22k OHM 1/6W +/-5%	1	R092	
18-CB0223-JNX	RES. C.F. 22k OHM 1/6W +/-5%	1	R631	
18-CB0223-JNX	RES. C.F. 22k OHM 1/6W +/-5%	1	R915	
18-CB0223-JNX	RES. C.F. 22k OHM 1/6W +/-5%	1	R916	
18-CB0223-JNX	RES. C.F. 22k OHM 1/6W +/-5%	1	R920	
18-CB0223-JNX	RES. C.F. 22k OHM 1/6W +/-5%	1	R925	
18-CB0223-JNX	RES. C.F. 22k OHM 1/6W +/-5%	1	R952	
18-CB0223-JNX	RES. C.F. 22k OHM 1/6W +/-5%	1	R722	
18-CB0224-JNX	RES. C.F. 220k OHM 1/6W +/-5%	1	R251	
18-CB0271-JNX	RES. C.F. 270 OHM 1/6W +/-5%	1	R711	
18-CB0272-JNX	RES. C.F. 2.7k OHM 1/6W +/-5%	1	R227	
18-CB0302-JNX	RES. C.F. 3K OHM 1/6W +/-5%	1	R601	
18-CB0302-JNX	RES. C.F. 3K OHM 1/6W +/-5%	1	R602	
18-CB0331-JNX	RES. C.F. 330 OHM 1/6W +/-5%	1	R222	
18-CB0331-JNX	RES. C.F. 330 OHM 1/6W +/-5%	1	R223	

Item No.	Description	Quantity Req.	Designator	Remarks
18-CB0331-JNX	RES. C.F. 330 OHM 1/6W +/-5%	1	R229	
18-CB0331-JNX	RES. C.F. 330 OHM 1/6W +/-5%	1	R259	
18-CB0332-JNX	RES. C.F. 3.3k OHM 1/6W +/-5%	1	R013	
18-CB0332-JNX	RES. C.F. 3.3k OHM 1/6W +/-5%	1	R014	
18-CB0332-JNX	RES. C.F. 3.3k OHM 1/6W +/-5%	1	R074	
18-CB0332-JNX	RES. C.F. 3.3k OHM 1/6W +/-5%	1	R076	
18-CB0332-JNX	RES. C.F. 3.3k OHM 1/6W +/-5%	1	R111	
18-CB0332-JNX	RES. C.F. 3.3k OHM 1/6W +/-5%	1	R254	
18-CB0332-JNX	RES. C.F. 3.3k OHM 1/6W +/-5%	1	R302	
18-CB0332-JNX	RES. C.F. 3.3k OHM 1/6W +/-5%	1	R472	
18-CB0333-JNX	RES. C.F. 33K OHM 1/6W +/-5%	1	R289	
18-CB0333-JNX	RES. C.F. 33K OHM 1/6W +/-5%	1	R114	
18-CB0333-JNX	RES. C.F. 33K OHM 1/6W +/-5%	1	R208	
18-CB0333-JNX	RES. C.F. 33K OHM 1/6W +/-5%	1	R714	
18-CB0393-JNX	RES. C.F. 39K OHM 1/6W +/-5%	1	R314	
18-CB0470-JNX	RES. C.F. 47 OHM 1/6W +/-5%	1	R021	
18-CB0470-JNX	RES. C.F. 47 OHM 1/6W +/-5%	1	R077	
18-CB0470-JNX	RES. C.F. 47 OHM 1/6W +/-5%	1	R084	
18-CB0470-JNX	RES. C.F. 47 OHM 1/6W +/-5%	1	R085	
18-CB0470-JNX	RES. C.F. 47 OHM 1/6W +/-5%	1	R940	
18-CB0471-JNX	RES. C.F. 470 OHM 1/6W +/-5%	1	R125	
18-CB0471-JNX	RES. C.F. 470 OHM 1/6W +/-5%	1	R252	
18-CB0471-JNX	RES. C.F. 470 OHM 1/6W +/-5%	1	R931	
18-CB0471-JNX	RES. C.F. 470 OHM 1/6W +/-5%	1	R932	
18-CB0472-JNX	RES. C.F. 4.7k OHM 1/6W +/-5%	1	R066	
18-CB0472-JNX	RES. C.F. 4.7k OHM 1/6W +/-5%	1	R211	
18-CB0473-JNX	RES. C.F. 47K OHM 1/6W +/-5%	1	R052	
18-CB0473-JNX	RES. C.F. 47K OHM 1/6W +/-5%	1	R307A	
18-CB0473-JNX	RES. C.F. 47K OHM 1/6W +/-5%	1	R115	
18-CB0473-JNX	RES. C.F. 47K OHM 1/6W +/-5%	1	R262	
18-CB0473-JNX	RES. C.F. 47K OHM 1/6W +/-5%	1	R263	
18-CB0473-JNX	RES. C.F. 47K OHM 1/6W +/-5%	1	R284	
18-CB0560-JNX	RES. C.F. 56 OHM 1/6W +/-5%	1	R122	
18-CB0561-JNX	RES. C.F. 560 OHM 1/6W +/-5%	1	R228	
18-CB0682-JNX	RES. C.F. 6.8K OHM 1/6W +/-5%	1	R630	
18-CB0750-JNX	RES. C.F. 75 OHM 1/6W +/-5%	1	R933	
18-CB0752-JNX	RES. C.F. 7.5K OHM 1/6W +/-5%	1	R221	
18-CB0820-JNX	RES. C.F. 82 OHM 1/6W +/-5%	1	R913	

Item No.	Description	Quantity Req.	Designator	Remarks
18-CB0820-JNX	RES. C.F. 82 OHM 1/6W +/-5%	1	R923	
18-CB0820-JNX	RES. C.F. 82 OHM 1/6W +/-5%	1	R971	
18-CB0820-JNX	RES. C.F. 82 OHM 1/6W +/-5%	1	R981	
18-CB0822-JNX	RES. C.F. 8.2K OHM 1/6W +/-5%	1	R286	
18-CD0100-JNX	RES. C.F. 10 OHM 1/4W +/-5%	1	R064	
18-CD0101-JNX	RES. C.F. 100 OHM 1/4W +/-5%	1	R226	
18-CD0102-JNX	RES. C.F. 1k OHM 1/4W +/-5%	1	R724	
18-CD0182-JNX	RES. C.F. 1.8K OHM 1/4W +/-5%	1	R313	
18-CD0272-JNX	RES. C.F. 2.7K OHM 1/4W +/-5%	1	J691	
18-CD0332-JNX	RES. C.F. 3.3K OHM 1/4W +/-5%	1	R723	
18-CD0392-JNX	RES. C.F. 3.9K OHM 1/4W +/-5%	1	R312	
18-CD0472-JNX	RES. C.F. 4.7K OHM 1/4W +/-5%	1	R725	
18-CD0829-JNX	RES. C.F. 8.2 OHM 1/4W +/-5%	1	R607	
18-CD0829-JNX	RES. C.F. 8.2 OHM 1/4W +/-5%	1	R608	
18-CE0121-JNX	RES. C.F. 120 OHM 1/2W +/-5%	1	R731	
18-CE0470-JNX	RES. C.F. 47 OHM 1/2W +/-5%	1	R103	
18-EG0109-JHX	RES. FUS. 1 OHM 2W +/-5%	1	R431	
18-FE0121-JNX	RES. M.O. 120 OHM 1/2W +/-5%	1	R306	
18-FE0472-JNX	RES. M.O. 4.7K OHM 1/2W +/-5%	1	R471	
18-FF0103-JGX	RES. M.O. 10k OHM 1W +/-5%	1	R421	
18-FF0221-JGX	RES. M.O. 220 OHM 1W +/-5%	1	R307	
18-FF0242-JGX	RES. M.O. 2.4K OHM 1W +/-5%	1	R402	
18-FF0681-JGX	RES. M.O. 680 OHM 1W +/-5%	1	R411	
18-FG0100-JHX	RES. M.O. 10 OHM 2W +/-5%	1	J211	
18-FG0189-JHX	RES. M.O. 1.8 OHM 2W +/-5%	1	R461	
18-FG0399-JHX	RES. M.O. 3.9 OHM 2W +/-5%	1	R726	
18-FG0479-JHX	RES. M.O. 4.7 OHM 2W +/-5%	1	R303	
18-GM0302-KTX	RES. CEMENT 3K OHM 7W +/-10%	1	R404	
18-RF0109-JGX	RES. WIRE ROUND 1 OHM 1W +/-5%	1	R311	
18-RG0109-JHX	RES. WIRE ROUND 1 OHM 2W +/-5%	1	R422	
25-264610-MIX	CAP. ELEC 4.7UF 50V +/-20% NP	1	C417	
25-BCA102-MIX	CAP. ELEC 1000 UF 16V +/-20%	1	C846	
25-BCB100-MIX	CAP. ELEC 10 UF 16V +/-20%	1	C074	
25-BCB100-MIX	CAP. ELEC 10 UF 16V +/-20%	1	C106	
25-BCB100-MIX	CAP. ELEC 10 UF 16V +/-20%	1	C214	
25-BCB100-MIX	CAP. ELEC 10 UF 16V +/-20%	1	C227	
25-BCB100-MIX	CAP. ELEC 10 UF 16V +/-20%	1	C276	
25-BCB100-MIX	CAP. ELEC 10 UF 16V +/-20%	1	C651	



Item No.	Description	Quantity Req.	Designator	Remarks
25-BCB100-M1X	CAP. ELEC 10 UF 16V +/-20%	1	C655	
25-BCB100-M1X	CAP. ELEC 10 UF 16V +/-20%	1	C952	
25-BCB100-M1X	CAP. ELEC 10 UF 16V +/-20%	1	C278	
25-BCB101-M1X	CAP. ELEC 100 UF 16V +/-20%	1	C064	
25-BCB101-M1X	CAP. ELEC 100 UF 16V +/-20%	1	C228	
25-BCB101-M1X	CAP. ELEC 100 UF 16V +/-20%	1	C257	
25-BCB101-M1X	CAP. ELEC 100 UF 16V +/-20%	1	C934	
25-BCB101-M1X	CAP. ELEC 100 UF 16V +/-20%	1	C944	
25-BCB101-M1X	CAP. ELEC 100 UF 16V +/-20%	1	C969	
25-BCB101-M1X	CAP. ELEC 100 UF 16V +/-20%	1	C217	
25-BCB221-M1X	CAP. ELEC 220 UF 16V +/-20%	1	C933	
25-BCB221-M1X	CAP. ELEC 220 UF 16V +/-20%	1	C634	
25-BCB470-M1X	CAP. ELEC 47 UF 16V +/-20%	1	C202	
25-BCB470-M1X	CAP. ELEC 47 UF 16V +/-20%	1	C274	
25-BCB470-M1X	CAP. ELEC 47 UF 16V +/-20%	1	C911	
25-BCB470-M1X	CAP. ELEC 47 UF 16V +/-20%	1	C912	
25-BCB470-M1X	CAP. ELEC 47 UF 16V +/-20%	1	C913	
25-BCB470-M1X	CAP. ELEC 47 UF 16V +/-20%	1	C921	
25-BCB470-M1X	CAP. ELEC 47 UF 16V +/-20%	1	C922	
25-BCB470-M1X	CAP. ELEC 47 UF 16V +/-20%	1	C923	
25-BCB470-M1X	CAP. ELEC 47 UF 16V +/-20%	1	C931	
25-BCB470-M1X	CAP. ELEC 47 UF 16V +/-20%	1	C932	
25-BCB470-M1X	CAP. ELEC 47 UF 16V +/-20%	1	C943	
25-BCB470-M1X	CAP. ELEC 47 UF 16V +/-20%	1	C981	
25-BCB470-M1X	CAP. ELEC 47 UF 16V +/-20%	1	C991	
25-BCB471-M1X	CAP. ELEC 470 UF 16V +/-20%	1	C082	
25-BEA102-M1X	CAP. ELEC 1000 UF 35V +/-20%	1	C432	
25-BEA102-M1X	CAP. ELEC 1000 UF 35V +/-20%	1	C610	
25-BEA221-M1X	CAP. ELEC 220 UF 35V +/-20%	1	C306	
25-BEA471-M1X	CAP. ELEC 470 UF 35V +/-20%	1	C607	
25-BEA471-M1X	CAP. ELEC 470 UF 35V +/-20%	1	C608	
25-BEB101-M1X	CAP. ELEC 100 UF 35V +/-20%	1	C731	
25-BEG222-M1X	CAP. ELEC 2200 UF 35V +/-20%	1	C303	
25-BEG222-M1X	CAP. ELEC 2200 UF 35V +/-20%	1	C309	
25-BFB100-M1X	CAP. ELEC 10 UF 50V +/-20%	1	C222	
25-BFB100-M1X	CAP. ELEC 10 UF 50V +/-20%	1	C311	
25-BFB101-M1X	CAP. ELEC 100 UF 50V +/-20%	1	C605	
25-BFB108-M1X	CAP. ELEC 0.1 UF 50V +/-20%	1	C271	

Item No.	Description	Quantity Req.	Designator	Remarks
25-BFB109-MIX	CAP. ELEC 1 UF 50V +/-20%	1	C253	
25-BFB109-MIX	CAP. ELEC 1 UF 50V +/-20%	1	C206	
25-BFB109-MIX	CAP. ELEC 1 UF 50V +/-20%	1	C631	
25-BFB479-MIX	CAP. ELEC 4.7 UF 50V +/-20%	1	C101	
25-BFB479-MIX	CAP. ELEC 4.7 UF 50V +/-20%	1	C124	
25-BKA100-MIX	CAP. ELEC 10 UF 200V +/-20%	1	C421	
25-BKG101-MIX	CAP. ELEC 100 UF 200V +/-20%	1	C422	
25-BLA100-MIX	CAP. ELEC 10 UF 250V +/-20%	1	C442	
25-GFB109-K1X	CAP. ELEC 1UF 50V +/-10%	1	C223	
25-GFB478-K1X	CAP. ELEC 0.47 UF 50V 10%CEC-K	1	C208	
26-AIC221-KBX	CAP. CER 220 PF 500V +/-10% B	1	C431	
26-AIC221-KBX	CAP. CER 220 PF 500V +/-10% B	1	C441	
26-AIC332-KBX	CAP. CER 3300 PF 500V +/-10% B	1	C402	
26-AIC391-KBX	CAP. CER 390 PF 500V +/-10% B	1	C403	
26-AIM103-KBX	CAP. CER 0.01UF 500V +/-10% B	1	C401	
26-EBP101-JCX	CAP. CER 100PF 50V +/-5% CH	1	C032	
26-EBP101-JCX	CAP. CER 100PF 50V +/-5% CH	1	C254	
26-EBP101-JCX	CAP. CER 100PF 50V +/-5% CH	1	C255	
26-EBP101-JCX	CAP. CER 100PF 50V +/-5% CH	1	C071	
26-EBP101-JCX	CAP. CER 100PF 50V +/-5% CH	1	C272	
26-EBP102-KBX	CAP. CER 1000 PF 50V +/-10% B	1	C001	
26-EBP102-KBX	CAP. CER 1000 PF 50V +/-10% B	1	C002	
26-EBP102-KBX	CAP. CER 1000 PF 50V +/-10% B	1	C013	
26-EBP102-KBX	CAP. CER 1000 PF 50V +/-10% B	1	C061	
26-EBP102-KBX	CAP. CER 1000 PF 50V +/-10% B	1	C062	
26-EBP102-KBX	CAP. CER 1000 PF 50V +/-10% B	1	C127	
26-EBP102-KBX	CAP. CER 1000 PF 50V +/-10% B	1	C224	
26-EBP102-KBX	CAP. CER 1000 PF 50V +/-10% B	1	C305	
26-EBP102-KBX	CAP. CER 1000 PF 50V +/-10% B	1	C312	
26-EBP102-KBX	CAP. CER 1000 PF 50V +/-10% B	1	C411	
26-EBP102-KBX	CAP. CER 1000 PF 50V +/-10% B	1	C602	
26-EBP102-KBX	CAP. CER 1000 PF 50V +/-10% B	1	C606	
26-EBP102-KBX	CAP. CER 1000 PF 50V +/-10% B	1	C942	
26-EBP102-KBX	CAP. CER 1000 PF 50V +/-10% B	1	C971	
26-EBP102-KBX	CAP. CER 1000 PF 50V +/-10% B	1	C936	
26-EBP102-KBX	CAP. CER 1000 PF 50V +/-10% B	1	C937	
26-EBP103-ZFX	CAP. CER 0.01UF 50V +80/-20% F	1	C075	
26-EBP103-ZFX	CAP. CER 0.01UF 50V +80/-20% F	1	C083	

Item No.	Description	Quantity Req.	Designator	Remarks
26-EBP103-ZFX	CAP. CER 0.01UF 50V +80/-20% F	1	C111	
26-EBP103-ZFX	CAP. CER 0.01UF 50V +80/-20% F	1	C121	
26-EBP103-ZFX	CAP. CER 0.01UF 50V +80/-20% F	1	C125	
26-EBP103-ZFX	CAP. CER 0.01UF 50V +80/-20% F	1	C126	
26-EBP103-ZFX	CAP. CER 0.01UF 50V +80/-20% F	1	C203	
26-EBP103-ZFX	CAP. CER 0.01UF 50V +80/-20% F	1	C205	
26-EBP103-ZFX	CAP. CER 0.01UF 50V +80/-20% F	1	C215	
26-EBP103-ZFX	CAP. CER 0.01UF 50V +80/-20% F	1	C226	
26-EBP103-ZFX	CAP. CER 0.01UF 50V +80/-20% F	1	C229	
26-EBP103-ZFX	CAP. CER 0.01UF 50V +80/-20% F	1	C256	
26-EBP103-ZFX	CAP. CER 0.01UF 50V +80/-20% F	1	C273	
26-EBP103-ZFX	CAP. CER 0.01UF 50V +80/-20% F	1	C275	
26-EBP103-ZFX	CAP. CER 0.01UF 50V +80/-20% F	1	C732	
26-EBP103-ZFX	CAP. CER 0.01UF 50V +80/-20% F	1	C935	
26-EBP103-ZFX	CAP. CER 0.01UF 50V +80/-20% F	1	C961	
26-EBP103-ZFX	CAP. CER 0.01UF 50V +80/-20% F	1	C962	
26-EBP103-ZFX	CAP. CER 0.01UF 50V +80/-20% F	1	C107	
26-EBP103-ZFX	CAP. CER 0.01UF 50V +80/-20% F	1	C204	
26-EBP103-ZFX	CAP. CER 0.01UF 50V +80/-20% F	1	C609	
26-EBP103-ZFX	CAP. CER 0.01UF 50V +80/-20% F	1	C635	
26-EBP103-ZFX	CAP. CER 0.01UF 50V +80/-20% F	1	C945	
26-EBP104-ZFX	CAP. CER 0.1UF 50V +80%/-20%	1	C745	
26-EBP104-ZFX	CAP. CER 0.1UF 50V +80%/-20%	1	C015	
26-EBP104-ZFX	CAP. CER 0.1UF 50V +80%/-20%	1	C114	
26-EBP120-JCX	CAP. CER 12PF 50V +/-5% CH	1	C209	
26-EBP150-JCX	CAP. CER 15PF 50V +/-5% CH	1	C041	
26-EBP150-JCX	CAP. CER 15PF 50V +/-5% CH	1	C042	
26-EBP150-JCX	CAP. CER 15PF 50V +/-5% CH	1	C043	
26-EBP150-JCX	CAP. CER 15PF 50V +/-5% CH	1	C044	
26-EBP220-JCX	CAP. CER 22PF 50V +/-5% CH	1	C053	
26-EBP220-JCX	CAP. CER 22PF 50V +/-5% CH	1	C054	
26-EBP221-JCX	CAP. CER 220PF 50V +/-5% CH	1	C021	
26-EBP221-JCX	CAP. CER 220PF 50V +/-5% CH	1	C092	
26-EBP221-JCX	CAP. CER 220PF 50V +/-5% CH	1	C112	
26-EBP221-JCX	CAP. CER 220PF 50V +/-5% CH	1	C228A	
26-EBP222-KBX	CAP. CER 2200PF 50V +/-10% B	1	C452	
26-EBP300-JZX	CAP. CER 30PF 50V +/-5% SL	1	C055	
26-EBP300-JZX	CAP. CER 30PF 50V +/-5% SL	1	C056	

Item No.	Description	Quantity Req.	Designator	Remarks
26-EBP330-JZX	CAP. CER 33PF 50V +/-5% SL TU	1	C128	
26-EBP330-JZX	CAP. CER 33PF 50V +/-5% SL TU	1	C953	
26-EBP331-JCX	CAP. CER 330PF 50V +/-5% CH	1	C004	
26-EBP331-JCX	CAP. CER 330PF 50V +/-5% CH	1	C063	
26-EBP331-JCX	CAP. CER 330PF 50V +/-5% CH	1	C084	
26-EBP331-JCX	CAP. CER 330PF 50V +/-5% CH	1	C085	
26-EBP331-JCX	CAP. CER 330PF 50V +/-5% CH	1	C091	
26-EBP331-JCX	CAP. CER 330PF 50V +/-5% CH	1	C301	
26-EBP390-JCX	CAP. CER 39PF 50V +/-5% CH	1	C051	
26-EBP470-JZX	CAP. CER 47PF 50V +/-5% SL	1	C072	
26-EBP470-JZX	CAP. CER 47PF 50V +/-5% SL	1	C073	
26-EBP470-JZX	CAP. CER 47PF 50V +/-5% SL	1	C261	
26-EBP470-JZX	CAP. CER 47PF 50V +/-5% SL	1	T141	
27-AGR514-JSX	CAP. M. PP 0. 51 UF 250V +/-5%	1	C418	
27-ALQ103-JOX	CAP. M. PP 0. 01UF 1. 6KV +/-5%	1	C415	
27-ALQ332-JOX	CAP. M. PP 3300PF 1. 6KV +/-5%	1	C413	
27-ALR562-JOX	CAP. M. PP 5600PF 1. 6KV +/-5%	1	C414	
27-MBC104-JOX	CAP. M. P. E 0. 1 UF 63V +/-5%	1	C102	
27-MBC104-JOX	CAP. M. P. E 0. 1 UF 63V +/-5%	1	C211	
27-MBC104-JOX	CAP. M. P. E 0. 1 UF 63V +/-5%	1	C212	
27-MBC104-JOX	CAP. M. P. E 0. 1 UF 63V +/-5%	1	C213	
27-MBC104-JOX	CAP. M. P. E 0. 1 UF 63V +/-5%	1	C242	
27-MBC104-JOX	CAP. M. P. E 0. 1 UF 63V +/-5%	1	C252	
27-MBC224-JOX	CAP. M. P. E 0. 22UF 63V +/-5%	1	C113	
27-MBC474-JOX	CAP. M. P. E 0. 47UF 63V +/-5%	1	C225	
27-MBC474-JOX	CAP. M. P. E 0. 47UF 63V +/-5%	1	C243	
27-MBC474-JOX	CAP. M. P. E 0. 47UF 63V +/-5%	1	C603	
27-MBC474-JOX	CAP. M. P. E 0. 47UF 63V +/-5%	1	C604	
27-MBC474-JOX	CAP. M. P. E 0. 47UF 63V +/-5%	1	C251	
27-MCC272-JOX	CAP. M. P. E 2700PF 100V +/-5%	1	C471	
27-PBC103-JOX	CAP. P. E. 0. 01UF 63V +/-5%	1	C052	
27-PBC222-JOX	CAP. P. E 0. 0022UF 63V +/-5%	1	C207	
27-PBC222-JOX	CAP. P. E 0. 0022UF 63V +/-5%	1	C221	
27-PBC223-JOX	CAP. P. E 0. 022 UF 63V +/-5%	1	C611	
27-PBC223-JOX	CAP. P. E 0. 022 UF 63V +/-5%	1	C612	
27-PBC333-JOX	CAP. P. E 0. 033UF 63V +/-5%	1	C302	
27-PBC393-JOX	CAP. P. E 0. 039UF 63V +/-5%	1	C308	
27-PBC472-JOX	CAP. P. E 0. 0047UF 63V +/-5%	1	C244	

Item No.	Description	Quantity Req.	Designator	Remarks
27-PBC563-J0X	CAP. P. E 0.056 UF 63V +/-5%	1	C304	
27-RHQ223-J0X	CAP. PP 0.022 UF 400V +/-5%	1	C416	
27-RHQ563-J0X	CAP. PP 0.056 UF 400V +/-5%	1	C451	
34-A109K0-1IX	COIL CHOKE 1 UH +/-10%	1	L121	
34-A109K0-1IX	COIL CHOKE 1 UH +/-10%	1	L141	
34-A608K6-1BX	COIL CHOKE 0.6 UH +/-10%	1	L412	
34-R100J2-OEX	COIL PL - 10 UH +/-5%	1	L252	
34-R101J2-OEX	COIL PL - 100 UH +/-5%	1	L201	
34-R101J2-OEX	COIL PL - 100 UH +/-5%	1	L211	
34-R101J2-OEX	COIL PL - 100 UH +/-5%	1	L271	
34-R120J2-OEX	COIL PL - 12 UH +/-5%	1	L256	
34-R220J2-OEX	COIL PL - 22 UH +/-5%	1	L051	
34-R220J2-OEX	COIL PL - 22 UH +/-5%	1	L081	
34-R220J2-OEX	COIL PL - 22 UH +/-5%	1	L251	
34-R229J2-OEX	COIL PL - 2.2 UH +/-5%	1	L053	
36-HDR001-AX1	TRANSFOR HOR. DRIVE (MAGNETIC CORE)	1	T401	
36-LIN180-XX1	COIL LINEARITY 18 UH	1	L413	
36-WID801-XX1	COIL WIDTH 800 UH	1	L414	
37-JF0101-002	FLYBACK TRANS. JF0101-0722 (34")	1	T461	
38-236560-00X	COIL I. F. T. 236560 FOR VCO	1	T271	
40-2916MT-MAJ	P. C. B. MAIN BD	1		
41-WJ0050-B00	WIRE BARE JUMPER 5MM	1	C946	
41-WJ0050-B00	WIRE BARE JUMPER 5MM	1	J773	
41-WJ0050-B00	WIRE BARE JUMPER 5MM	1	J552	
41-WJ0050-B00	WIRE BARE JUMPER 5MM	1	J555	
41-WJ0050-B00	WIRE BARE JUMPER 5MM	1	J871	
41-WJ0050-B00	WIRE BARE JUMPER 5MM	1	J410A	
41-WJ0050-B00	WIRE BARE JUMPER 5MM	1	J415	
41-WJ0050-B00	WIRE BARE JUMPER 5MM	1	J416	
41-WJ0050-B00	WIRE BARE JUMPER 5MM	1	J417	
41-WJ0050-B00	WIRE BARE JUMPER 5MM	1	J418	
41-WJ0050-B00	WIRE BARE JUMPER 5MM	1	J419	
41-WJ0050-B00	WIRE BARE JUMPER 5MM	1	J420	
41-WJ0050-B00	WIRE BARE JUMPER 5MM	1	J435	
41-WJ0050-B00	WIRE BARE JUMPER 5MM	1	J436	
41-WJ0050-B00	WIRE BARE JUMPER 5MM	1	J437	
41-WJ0050-B00	WIRE BARE JUMPER 5MM	1	J636	
41-WJ0050-B00	WIRE BARE JUMPER 5MM	1	J637	

Item No.	Description	Quantity Req.	Designator	Remarks
41-WJ0050-B00	WIRE BARE JUMPER 5MM	1	C262	
41-WJ0050-B00	WIRE BARE JUMPER 5MM	1	C661	
41-WJ0050-B00	WIRE BARE JUMPER 5MM	1	C662	
41-WJ0050-B00	WIRE BARE JUMPER 5MM	1		FOR Q922 (B-E)
41-WJ0050-B00	WIRE BARE JUMPER 5MM	1		FOR Q912 (B-E)
41-WJ0050-B00	WIRE BARE JUMPER 5MM	1		FOR Q921 (B-E)
41-WJ0050-B00	WIRE BARE JUMPER 5MM	1		FOR Q913 (B-E)
41-WJ0050-B00	WIRE BARE JUMPER 5MM	1		FOR Q923 (B-E)
41-WJ0050-B00	WIRE BARE JUMPER 5MM	1		FOR Q911 (B-E)
41-WJ0050-B00	WIRE BARE JUMPER 5MM	1		FOR Q991 (B-E)
41-WJ0050-B00	WIRE BARE JUMPER 5MM	1		FOR Q971 (B-E)
41-WJ0050-B00	WIRE BARE JUMPER 5MM	1		FOR Q981 (B-E)
41-WJ0060-B00	WIRE BARE JUMPER 6mm	1	J044	
41-WJ0060-B00	WIRE BARE JUMPER 6mm	1	J123	
41-WJ0060-B00	WIRE BARE JUMPER 6mm	1	J132	
41-WJ0060-B00	WIRE BARE JUMPER 6mm	1	J141	
41-WJ0060-B00	WIRE BARE JUMPER 6mm	1	J229	
41-WJ0060-B00	WIRE BARE JUMPER 6mm	1	J230	
41-WJ0060-B00	WIRE BARE JUMPER 6mm	1	J232	
41-WJ0060-B00	WIRE BARE JUMPER 6mm	1	J242	
41-WJ0060-B00	WIRE BARE JUMPER 6mm	1	J261	
41-WJ0060-B00	WIRE BARE JUMPER 6mm	1	J301	
41-WJ0060-B00	WIRE BARE JUMPER 6mm	1	J338	
41-WJ0060-B00	WIRE BARE JUMPER 6mm	1	J401	
41-WJ0060-B00	WIRE BARE JUMPER 6mm	1	J421	
41-WJ0060-B00	WIRE BARE JUMPER 6mm	1	J512	
41-WJ0060-B00	WIRE BARE JUMPER 6mm	1	J543	
41-WJ0060-B00	WIRE BARE JUMPER 6mm	1	J633	
41-WJ0060-B00	WIRE BARE JUMPER 6mm	1	J732	
41-WJ0060-B00	WIRE BARE JUMPER 6mm	1	J733	
41-WJ0060-B00	WIRE BARE JUMPER 6mm	1	J825	
41-WJ0060-B00	WIRE BARE JUMPER 6mm	1	J826	
41-WJ0060-B00	WIRE BARE JUMPER 6mm	1	J832	
41-WJ0060-B00	WIRE BARE JUMPER 6mm	1	J834	
41-WJ0060-B00	WIRE BARE JUMPER 6mm	1	J836	
41-WJ0060-B00	WIRE BARE JUMPER 6mm	1	J837	
41-WJ0060-B00	WIRE BARE JUMPER 6mm	1	J838	
41-WJ0060-B00	WIRE BARE JUMPER 6mm	1	J911	

Item No.	Description	Quantity Req.	Designator	Remarks
41-WJ0060-B00	WIRE BARE JUMPER 6mm	1	J921	
41-WJ0060-B00	WIRE BARE JUMPER 6mm	1	R126	
41-WJ0060-B00	WIRE BARE JUMPER 6mm	1	R224	
41-WJ0060-B00	WIRE BARE JUMPER 6mm	1	R028A	
41-WJ0060-B00	WIRE BARE JUMPER 6mm	1	R028B	
41-WJ0060-B00	WIRE BARE JUMPER 6mm	1	R028C	
41-WJ0060-B00	WIRE BARE JUMPER 6mm	1	R023	
41-WJ0060-B00	WIRE BARE JUMPER 6mm	1	R024	
41-WJ0060-B00	WIRE BARE JUMPER 6mm	1	R025	
41-WJ0060-B00	WIRE BARE JUMPER 6mm	1	R026	
41-WJ0060-B00	WIRE BARE JUMPER 6mm	1	R027	
41-WJ0060-B00	WIRE BARE JUMPER 6mm	1	J523	
41-WJ0060-B00	WIRE BARE JUMPER 6mm	1	J327	
41-WJ0060-B00	WIRE BARE JUMPER 6mm	1	J328	
41-WJ0060-B00	WIRE BARE JUMPER 6mm	1	J022A	
41-WJ0060-B00	WIRE BARE JUMPER 6mm	1	J615	
41-WJ0065-B00	WIRE BARE JUMPER 6.5MM	1	J514	
41-WJ0065-B00	WIRE BARE JUMPER 6.5MM	1	J511	
41-WJ0065-B00	WIRE BARE JUMPER 6.5MM	1	J632	
41-WJ0065-B00	WIRE BARE JUMPER 6.5MM	1	J725	
41-WJ0065-B00	WIRE BARE JUMPER 6.5MM	1	J729	
41-WJ0065-B00	WIRE BARE JUMPER 6.5MM	1	J410	
41-WJ0065-B00	WIRE BARE JUMPER 6.5MM	1	R238	
41-WJ0070-B00	WIRE BARE JUMPER 7MM	1	J513	
41-WJ0070-B00	WIRE BARE JUMPER 7MM	1	J426	
41-WJ0070-B00	WIRE BARE JUMPER 7MM	1	J023	
41-WJ0070-B00	WIRE BARE JUMPER 7MM	1	J726	
41-WJ0070-B00	WIRE BARE JUMPER 7MM	1	J741	
41-WJ0070-B00	WIRE BARE JUMPER 7MM	1	J233A	
41-WJ0075-B00	WIRE BARE JUMPER 7.5MM	1	D141	
41-WJ0075-B00	WIRE BARE JUMPER 7.5MM	1	J041	
41-WJ0075-B00	WIRE BARE JUMPER 7.5MM	1	J043	
41-WJ0075-B00	WIRE BARE JUMPER 7.5MM	1	J124	
41-WJ0075-B00	WIRE BARE JUMPER 7.5MM	1	J151	
41-WJ0075-B00	WIRE BARE JUMPER 7.5MM	1	J152	
41-WJ0075-B00	WIRE BARE JUMPER 7.5MM	1	J154	
41-WJ0075-B00	WIRE BARE JUMPER 7.5MM	1	J207	
41-WJ0075-B00	WIRE BARE JUMPER 7.5MM	1	J208	

Item No.	Description	Quantity Req.	Designator	Remarks
41-WJ0075-B00	WIRE BARE JUMPER 7.5MM	1	J217	
41-WJ0075-B00	WIRE BARE JUMPER 7.5MM	1	J241	
41-WJ0075-B00	WIRE BARE JUMPER 7.5MM	1	J331	
41-WJ0075-B00	WIRE BARE JUMPER 7.5MM	1	J351	
41-WJ0075-B00	WIRE BARE JUMPER 7.5MM	1	J412	
41-WJ0075-B00	WIRE BARE JUMPER 7.5MM	1	J541	
41-WJ0075-B00	WIRE BARE JUMPER 7.5MM	1	J551	
41-WJ0075-B00	WIRE BARE JUMPER 7.5MM	1	J642	
41-WJ0075-B00	WIRE BARE JUMPER 7.5MM	1	J651	
41-WJ0075-B00	WIRE BARE JUMPER 7.5MM	1	J656	
41-WJ0075-B00	WIRE BARE JUMPER 7.5MM	1	J693	
41-WJ0075-B00	WIRE BARE JUMPER 7.5MM	1	J712	
41-WJ0075-B00	WIRE BARE JUMPER 7.5MM	1	J734	
41-WJ0075-B00	WIRE BARE JUMPER 7.5MM	1	J812	
41-WJ0075-B00	WIRE BARE JUMPER 7.5MM	1	J821	
41-WJ0075-B00	WIRE BARE JUMPER 7.5MM	1	J833	
41-WJ0075-B00	WIRE BARE JUMPER 7.5MM	1	J851	
41-WJ0075-B00	WIRE BARE JUMPER 7.5MM	1	J915	
41-WJ0075-B00	WIRE BARE JUMPER 7.5MM	1	J405	
41-WJ0075-B00	WIRE BARE JUMPER 7.5MM	1	J406	
41-WJ0075-B00	WIRE BARE JUMPER 7.5MM	1	J407	
41-WJ0075-B00	WIRE BARE JUMPER 7.5MM	1	J408	
41-WJ0075-B00	WIRE BARE JUMPER 7.5MM	1	J941	
41-WJ0075-B00	WIRE BARE JUMPER 7.5MM	1	J544	
41-WJ0080-B00	WIRE BARE JUMPER 8 MM	1	J201	
41-WJ0080-B00	WIRE BARE JUMPER 8 MM	1	J425	
41-WJ0080-B00	WIRE BARE JUMPER 8 MM	1	J443	
41-WJ0080-B00	WIRE BARE JUMPER 8 MM	1	J453	
41-WJ0085-B00	WIRE BARE JUMPER 8.5MM	1	J122	
41-WJ0085-B00	WIRE BARE JUMPER 8.5MM	1	J204	
41-WJ0085-B00	WIRE BARE JUMPER 8.5MM	1	J205	
41-WJ0085-B00	WIRE BARE JUMPER 8.5MM	1	J424	
41-WJ0085-B00	WIRE BARE JUMPER 8.5MM	1	J441	
41-WJ0085-B00	WIRE BARE JUMPER 8.5MM	1	J502	
41-WJ0085-B00	WIRE BARE JUMPER 8.5MM	1	J503	
41-WJ0085-B00	WIRE BARE JUMPER 8.5MM	1	J553	
41-WJ0085-B00	WIRE BARE JUMPER 8.5MM	1	J554	
41-WJ0085-B00	WIRE BARE JUMPER 8.5MM	1	J621	



Item No.	Description	Quantity Req.	Designator	Remarks
41-WJ0085-B00	WIRE BARE JUMPER 8.5MM	1	J723	
41-WJ0085-B00	WIRE BARE JUMPER 8.5MM	1	J822	
41-WJ0085-B00	WIRE BARE JUMPER 8.5MM	1	J409	
41-WJ0085-B00	WIRE BARE JUMPER 8.5MM	1	J348	
41-WJ0090-B00	WIRE BARE JUMPER 9MM	1	J031	
41-WJ0090-B00	WIRE BARE JUMPER 9MM	1	J634	
41-WJ0095-B00	WIRE BARE JUMPER 9.5MM	1	J226	
41-WJ0095-B00	WIRE BARE JUMPER 9.5MM	1	J343	
41-WJ0095-B00	WIRE BARE JUMPER 9.5MM	1	J344	
41-WJ0095-B00	WIRE BARE JUMPER 9.5MM	1	J713	
41-WJ0100-B00	WIRE BARE JUMPER 10MM	1	J423	
41-WJ0100-B00	WIRE BARE JUMPER 10MM	1	J001	
41-WJ0100-B00	WIRE BARE JUMPER 10MM	1	J002	
41-WJ0100-B00	WIRE BARE JUMPER 10MM	1	J061	
41-WJ0100-B00	WIRE BARE JUMPER 10MM	1	J203	
41-WJ0100-B00	WIRE BARE JUMPER 10MM	1	J402	
41-WJ0100-B00	WIRE BARE JUMPER 10MM	1	J432	
41-WJ0100-B00	WIRE BARE JUMPER 10MM	1	J611	
41-WJ0100-B00	WIRE BARE JUMPER 10MM	1	J631	
41-WJ0100-B00	WIRE BARE JUMPER 10MM	1	J652	
41-WJ0100-B00	WIRE BARE JUMPER 10MM	1	J653	
41-WJ0100-B00	WIRE BARE JUMPER 10MM	1	J692	
41-WJ0100-B00	WIRE BARE JUMPER 10MM	1	J728	
41-WJ0100-B00	WIRE BARE JUMPER 10MM	1	J735	
41-WJ0100-B00	WIRE BARE JUMPER 10MM	1	J916	
41-WJ0100-B00	WIRE BARE JUMPER 10MM	1	J501	
41-WJ0100-B00	WIRE BARE JUMPER 10MM	1	J134	
41-WJ0100-B00	WIRE BARE JUMPER 10MM	1	J135	
41-WJ0105-B00	WIRE BARE JUMPER 10.5MM	1	J442	
41-WJ0105-B00	WIRE BARE JUMPER 10.5MM	1	J622	
41-WJ0105-B00	WIRE BARE JUMPER 10.5MM	1	J311	
41-WJ0110-B00	WIRE BARE JUMPER 11MM	1	J244	
41-WJ0110-B00	WIRE BARE JUMPER 11MM	1	J227	
41-WJ0110-B00	WIRE BARE JUMPER 11MM	1	J228	
41-WJ0110-B00	WIRE BARE JUMPER 11MM	1	J302	
41-WJ0110-B00	WIRE BARE JUMPER 11MM	1	J313	
41-WJ0110-B00	WIRE BARE JUMPER 11MM	1	J322	
41-WJ0110-B00	WIRE BARE JUMPER 11MM	1	J625	

Item No.	Description	Quantity Req.	Designator	Remarks
41-WJ0110-B00	WIRE BARE JUMPER 11MM	1	JP213	
41-WJ0110-B00	WIRE BARE JUMPER 11MM	1	J612	
41-WJ0110-B00	WIRE BARE JUMPER 11MM	1	J614	
41-WJ0110-B00	WIRE BARE JUMPER 11MM	1	J324	
41-WJ0115-B00	WIRE BARE JUMPER 11.5MM	1	J342	
41-WJ0115-B00	WIRE BARE JUMPER 11.5MM	1	J052	
41-WJ0115-B00	WIRE BARE JUMPER 11.5MM	1	J627	
41-WJ0115-B00	WIRE BARE JUMPER 11.5MM	1	J628	
41-WJ0115-B00	WIRE BARE JUMPER 11.5MM	1	J246	
41-WJ0115-B00	WIRE BARE JUMPER 11.5MM	1	J522	
41-WJ0120-B00	WIRE BARE JUMPER 12MM	1	J051	
41-WJ0120-B00	WIRE BARE JUMPER 12MM	1	J434	
41-WJ0120-B00	WIRE BARE JUMPER 12MM	1	J711	
41-WJ0120-B00	WIRE BARE JUMPER 12MM	1	J250	
41-WJ0120-B00	WIRE BARE JUMPER 12MM	1	J253	
41-WJ0120-B00	WIRE BARE JUMPER 12MM	1	J254	
41-WJ0120-B00	WIRE BARE JUMPER 12MM	1	J644	
41-WJ0125-B00	WIRE BARE JUMPER 12.5MM	1	J131	
41-WJ0125-B00	WIRE BARE JUMPER 12.5MM	1	J206	
41-WJ0125-B00	WIRE BARE JUMPER 12.5MM	1	J218	
41-WJ0125-B00	WIRE BARE JUMPER 12.5MM	1	J263	
41-WJ0125-B00	WIRE BARE JUMPER 12.5MM	1	J352	
41-WJ0125-B00	WIRE BARE JUMPER 12.5MM	1	J643	
41-WJ0125-B00	WIRE BARE JUMPER 12.5MM	1	J813	
41-WJ0125-B00	WIRE BARE JUMPER 12.5MM	1	J222	
41-WJ0125-B00	WIRE BARE JUMPER 12.5MM	1	J951	
41-WJ0125-B00	WIRE BARE JUMPER 12.5MM	1	J981	
41-WJ0125-B00	WIRE BARE JUMPER 12.5MM	1	J225	
41-WJ0125-B00	WIRE BARE JUMPER 12.5MM	1	J772	
41-WJ0130-B00	WIRE BARE JUMPER 13MM	1	J239	
41-WJ0130-B00	WIRE BARE JUMPER 13MM	1	J413	
41-WJ0130-B00	WIRE BARE JUMPER 13MM	1	J346	
41-WJ0135-B00	WIRE BARE JUMPER 13.5MM	1	J248A	
41-WJ0135-B00	WIRE BARE JUMPER 13.5MM	1	J224	
41-WJ0135-B00	WIRE BARE JUMPER 13.5MM	1	J236	
41-WJ0135-B00	WIRE BARE JUMPER 13.5MM	1	J411	
41-WJ0135-B00	WIRE BARE JUMPER 13.5MM	1	J247	
41-WJ0135-B00	WIRE BARE JUMPER 13.5MM	1	R228A	

Item No.	Description	Quantity Req.	Designator	Remarks
41-WJ0135-B00	WIRE BARE JUMPER 13.5MM	1	J345	
41-WJ0140-B00	WIRE BARE JUMPER 14MM	1	J335	
41-WJ0140-B00	WIRE BARE JUMPER 14MM	1	J336	
41-WJ0140-B00	WIRE BARE JUMPER 14MM	1	J337	
41-WJ0140-B00	WIRE BARE JUMPER 14MM	1	J742	
41-WJ0140-B00	WIRE BARE JUMPER 14MM	1	J321	
41-WJ0150-B00	WIRE BARE JUMPER 15MM	1	J032	
41-WJ0150-B00	WIRE BARE JUMPER 15MM	1	J133	
41-WJ0150-B00	WIRE BARE JUMPER 15MM	1	J153	
41-WJ0150-B00	WIRE BARE JUMPER 15MM	1	J235	
41-WJ0150-B00	WIRE BARE JUMPER 15MM	1	J237	
41-WJ0150-B00	WIRE BARE JUMPER 15MM	1	J243	
41-WJ0150-B00	WIRE BARE JUMPER 15MM	1	J245	
41-WJ0150-B00	WIRE BARE JUMPER 15MM	1	J255	
41-WJ0150-B00	WIRE BARE JUMPER 15MM	1	J262	
41-WJ0150-B00	WIRE BARE JUMPER 15MM	1	J461	
41-WJ0150-B00	WIRE BARE JUMPER 15MM	1	J542	
41-WJ0150-B00	WIRE BARE JUMPER 15MM	1	J714	
41-WJ0150-B00	WIRE BARE JUMPER 15MM	1	J761	
41-WJ0150-B00	WIRE BARE JUMPER 15MM	1	J931	
41-WJ0150-B00	WIRE BARE JUMPER 15MM	1	J347	
41-WJ0160-B00	WIRE BARE JUMPER 16MM	1	J238	
41-WJ0160-B00	WIRE BARE JUMPER 16MM	1	J325	
41-WJ0160-B00	WIRE BARE JUMPER 16MM	1	J334	
41-WJ0160-B00	WIRE BARE JUMPER 16MM	1	J431	
41-WJ0160-B00	WIRE BARE JUMPER 16MM	1	J645	
41-WJ0165-B00	WIRE BARE JUMPER 16.5MM	1	J221	
41-WJ0165-B00	WIRE BARE JUMPER 16.5MM	1	J314	
41-WJ0165-B00	WIRE BARE JUMPER 16.5MM	1	J234	
41-WJ0170-B00	WIRE BARE JUMPER 17MM	1	J231	
41-WJ0170-B00	WIRE BARE JUMPER 17MM	1	J240	
41-WJ0170-B00	WIRE BARE JUMPER 17MM	1	J835	
41-WJ0175-B00	WIRE BARE JUMPER 17.5MM	1	J249A	
41-WJ0175-B00	WIRE BARE JUMPER 17.5MM	1	J251	
41-WJ0175-B00	WIRE BARE JUMPER 17.5MM	1	J661	
41-WJ0175-B00	WIRE BARE JUMPER 17.5MM	1	J771	
41-WJ0175-B00	WIRE BARE JUMPER 17.5MM	1	J811	
41-WJ0175-B00	WIRE BARE JUMPER 17.5MM	1	J912	

Item No.	Description	Quantity Req.	Designator	Remarks
41-WJ0175-B00	WIRE BARE JUMPER 17.5MM	1	J913	
41-WJ0175-B00	WIRE BARE JUMPER 17.5MM	1	J223	
41-WJ0180-B00	WIRE BARE JUMPER 18MM	1	J214	
41-WJ0180-B00	WIRE BARE JUMPER 18MM	1	J623	
41-WJ0190-B00	WIRE BARE JUMPER 19MM	1	J823	
41-WJ0195-B00	WIRE BARE JUMPER 19.5MM	1	J323	
41-WJ0195-B00	WIRE BARE JUMPER 19.5MM	1	J355	
41-WJ0195-B00	WIRE BARE JUMPER 19.5MM	1	J641	
41-WJ0195-B00	WIRE BARE JUMPER 19.5MM	1	J731	
41-WJ0200-B00	WIRE BARE JUMPER 20MM	1	J824	
41-WJ0200-B00	WIRE BARE JUMPER 20MM	1	J831	
41-WJ0200-B00	WIRE BARE JUMPER 20MM	1	J312	
41-WJ0200-B00	WIRE BARE JUMPER 20MM	1	J427	
41-WJ0200-B00	WIRE BARE JUMPER 20MM	1	J624	
41-WJ0200-B00	WIRE BARE JUMPER 20MM	1	J626	
41-WJ0200-B00	WIRE BARE JUMPER 20MM	1	J727	
45-OSC4M4-3Y0	CRYSTAL 4.43MHz (CL=16pF)	1	X201	
45-OSC8M0-0Y0	CRYSTAL 8.0MHZ	1	X051	
45-SAWK33-50K	SAW FILTER K3350K (38.9MHZ)	1	Z141	
45-TRA5M5-0Y0	CER TRAP TPS 5.5MHZ	1	Z254	
46-12866W-02X	PIN BASE #2 S11-02Y	1		P601 FOR FRONT CAB. (SPK)
46-20598W-04X	PIN BASE #4 TJC1-4A	1		P411 FOR DY CONNECT.
46-27306H-02X	HS 2P24 150/5 F/W TJC3-2Y	1		P1003 "3" TO Q931(B), "2" TO Q932(B)
46-33079W-02X	PIN BASE #2 TJC3-2A	1		P602 FOR FRONT CAB. (SPK)
46-33079W-04X	PIN BASE #4 TJC3-4A	1		P421 FOR CRT BD P502
46-33079W-05X	PIN BASE #5 TJC3-5A	1		P201 FOR CRT BD P503
46-33079W-05X	PIN BASE #5 TJC3-5A	1		P001 FOR F. CTL BD P001B
46-33079W-06X	PIN BASE #6 TJC3-6A	1		P002 FOR W.BAL. ADJUST
46-33079W-06X	PIN BASE #6 TJC3-6A	1		P003 FOR SIDE AV BD
47-RCA023-XX1	RCA JACK 3PV YEL WHI RED/SW	1	P911	
47-RCA023-XX1	RCA JACK 3PV YEL WHI RED/SW	1	P931	
47-SVI002-XX0	Y/C SOCKET VERTICAL TYPE	1	P981	
54-128700-0X0	FIBRE WASHER 3.3 X 10 X 0.8	2		MTG M. BD & FBT
62-10654X-00F	UNI-TIE (2.5mmX95mm)	12		
62-227680-0UA	BRACKET ABS-KINGFA 606 (UO)	1		
62-313410-0HA	BRACKET	1		
62-B229MB-0UN	MAIN BD BRACKET	1		
63-B30100-BT4	S/T SCREW B 3 X 10 BT	2		MTG M. BD & FBT

Item No.	Description	Quantity Req.	Designator	Remarks
63-W30100-AB4	S/T SCREW W 3 X 10 AB	7		MTG M. BD & BKT
63-W30120-AB4	S/T SCREW W 3 X 12 AB	1		MTG FBT BKT & M. BD BKT
64-P30080-104	M/C SCREW P 3 X 8	1		FOR Q722
64-P30080-104	M/C SCREW P 3 X 8	1		FOR IC301
64-P30080-104	M/C SCREW P 3 X 8	1		FOR Q412
64-P30100-104	M/C SCREW P 3 X 10	2		FOR IC601
65-Z30050-23M	NUT M 3	2		FOR IC301 & Q412
65-Z30050-23M	NUT M 3	2		FOR IC601
66-343730-0B0	HOLLOW RIVET 1.6X3.0XL3.2	5		FOR T461
66-343730-0B0	HOLLOW RIVET 1.6X3.0XL3.2	2		FOR L414
66-343730-0B0	HOLLOW RIVET 1.6X3.0XL3.2	2		FOR L413
66-343740-0B0	HOLLOW RIVET (2.3mmx4.0mmx3.5mm)	2		FOR R404
67-H27292-1A0	HEAT SINK	1		FOR Q722
67-H30147-1A0	HEAT SINK	1		FOR Q412
67-H30179-7A0	HEAT SINK	1		FOR IC301
67-H30705-3A0	HEAT SINK	1		FOR IC601
70-271510-00A	SERVICE CARD	1		FOR PRODUCTION USE
71-270870-0A9	LABEL	2		
90-209770-SR1	SILICONE GREASE G-746	0.0009		FOR IC601 & Q412 & Q722
90-269080-ZU0	CLEAN COATING TC-131L 14KG/BARREL	0.0001		
18-CB0822-JNX	RES. C. F. 8.2K OHM 1/6W +/-5%	1	R022	
08-34504T-FCN	ASS'Y - FRONT CABINET	1		
02-GND034-XX0	ASS'Y - CRT GND WIRE&HOUSE	1		
25-DFB479-M1X	CAP. ELEC 4.7 UF 50V +/-20% BP	2		FOR SP601A & SP602A
36-DEG340-XX0	DEGAUSSING COIL 3910MM	1		
41-TF0380-9CC	WIRE UL2468 #24 380MM RD WH	2		
42-81608F-XX0	SPEAKER (80MMX160MM) 8 OHM 8W	1	SP601	
42-81608F-XX0	SPEAKER (80MMX160MM) 8 OHM 8W	1	SP602	
42-G5008D-XX3	SPEAKER G50 8 OHM 5W	1	SP601A	
42-G5008D-XX3	SPEAKER G50 8 OHM 5W	1	SP602A	
44-340FLS-SG2A	CRT A80LJF60X10(CR) (AUST)	1		
46-14026H-02X	HS 2P 2468#22 570mm S11-2Y/7mm	1		P601H FOR M. BD P601
46-26514H-04X	HS 4P A/B 500/13 RBGW TJC1-4Y	1		P411H FOR DY COIL
46-27580H-02X	HS 2P22 600/7 TJC3-2Y	1		P602H FOR M. BD P602
48-LOC002-XX0	SW. DOOR LOCK PR5	1		
54-113970-0U0	PVC TUBE #5 L=ROLL	0.32		FOR SPK CONNECTORS
54-113971-0UE	PVC TUBE #6 L=160MM	0.16		FOR SPK HOUSING
54-205140-000	SPACER CRT MOUNTING T=2MM	4		

Item No.	Description	Quantity Req.	Designator	Remarks
54-295210-0V0	FIBER WASHER	1		FOR AC LINE CORD TO AC LINE CORD CLIP MTG
54-314740-0X0	CRT FIBRE SHEET (22mmX22mmX0.8mm)	8		MTG CRT & FRONT CABINET
54-345020-000	EVA SPONGE (3mmx8mmx80mm)	8		
54-345030-000	SPONGE (20X20X12)	2		
54-367330-000	SPONGE (2mmX14mmX335mm)	4		
55-3450FC-0AN	FRONT CABINET	1		
55-3450FD-0HA	PRESET DOOR	1		
56-3450LS-0HA	REMOTE LENS - T. RED STD	1		
56-3450PK-0HA	POWER KNOB	1		
58-2161SI-0UI	INLAY SIDE AV	1		
58-3450FI-0UI	INLAY FRONT CONTROL 3409	1		
62-10654X-00F	UNI-TIE (2.5mmX95mm)	16		
62-216780-00D	PLATIC TAPE 12"	3		
62-29635X-00F	UNI - TIE (4.8mmX160mm)	2		
62-3450SB-00D	SPEAKER BRACKET	2		
62-3462PK-0HA	POWER KNOB ADAPTE	1		
62-388060-0UA	POWER CORD NIP	1		
63-B30060-BT4	S/T SCREW B 3 X 6 BT	2		FOR FUNCTION PCB TO F. CAB
63-B30080-BT4	S/T SCREW B 3 X 8 BT	3		FOR FUNCTION PCB TO F. CAB
63-B40100-BT4	S/T SCREW B 4 X 10	8		8 FOR SPK MTG
63-B50200-AB4	S/T SCREW B 5 X 20 AB	4		FOR SPK. HOLDER MTG
63-B50200-AB4	S/T SCREW B 5 X 20 AB	20		FOR CRT MTG
63-W30080-AB4	S/T SCREW W 3 X 8 AB	1		FOR WASHER TO AC LINE CORD CLIP MTG
63-W30100-AB4	S/T SCREW W 3 X 10 AB	2		2FOR REMOTE CONTROL PCB TO F. CAB
63-W30120-AB4	S/T SCREW W 3 X 12 AB	2		2FOR POWER SWITCH MTG.
63-W30120-BT4	S/T SCREW W 3 X 12 BT	4		FOR TWEETER SPK
67-249700-0E0	SPRING PWR KNOB	1		
67-401680-0E0	SPACER CRT	4		
67-M39206-0E4	CRT MTG. WASHER	8		FOR CRT MTG
67-X21679-0E0	SPRING CRT 6mmX50mmX0.6mm	2		FOR CRT
63-B40300-AB2	S/T SCREW B 4 X 30 AB	3		FOR CAB. MTG. (BOTTOM)
08-34504T-RCN	ASS'Y - REAR CABINET	1		
54-114000-00X	FELT TAPE (150mmX19mmX0.3mm)	20		FOR BACK CAB. AND OTHER PARTS
55-3450RC-0AN	REAR CABINET	1		
58-2506RI-AUI	INLAY TERMINAL BD	1		
58-3450MP-0UI	PLATE MODEL NO.	1		
63-F30100-BT3	S/T SCREW F 3 X 10 BT (BLACK)	2		MTG RCA JACK & REAR CAB
63-B50300-BF4	S/T SCREW 5*30	11		FOR F. CAB&R. CAB MTG

Item No.	Description	Quantity Req.	Designator	Remarks
08-34504T-PAN	ASS'Y - PACKING PARTS	1		
49-382550-BAT	BATTERY R06P AA 1.5V 5#	2		
72-34504T-E03	OPERATION MANUAL (3409)	1		
74-022032-6WE	POLYBAG (23cmX34cmX0.06mm)	1		
75-3450LL-ECO	POLYFOAM (LL)	1		
75-3450LR-ECO	POLYFOAM (LR)	1		
75-3450UL-ECO	POLYFOAM (UL)	1		
75-3450UR-ECO	POLYFOAM (UR)	1		
76-003450-OAT	CARTON BOX	1		
74-160140-80HAA	POLYBAG	1		

## TB1240 + TCLM13 chassis alignment instruction

### Enter factory mode in production line

Simply press the D-mode key on the factory remote handset.

### Enter service mode

Press and hold the VOLUME DOWN key tightly on the unit until minimum level and don't release the VOLUME DOWN key, then press the DISPLAY key on the remote handset three times.

"D" letter on the screen indicated that the factory mode was entered. Now you can use the shortcut key to access the factory menu. All change in factory data will save in EEPROM automatically

Note:

1. You can disable the D-Mode key (on factory remote handset) by change "BIT-0" of "MODE2" to "0". If the D-Mode key was disabled, you can't enter D-Mode by the D-mode key on the factory remote (but you can still enter service mode). It is suggested to disable the D-Mode key before the set leave the factory.
2. On the factory remote handset, you can find the "BUS OFF" key. It can cut off the I<sup>2</sup>C control from the CPU to other IC. This is only useful when automatic adjustment of white balance.
3. All system data in menu of "key 7" must keep unchanged when servicing. Otherwise, the set may not work properly.

### Setting method:

No	Adjustment Items	Data Name (default value inside blanket)	Conditions and input signal	Setting method (need enter D-mode)
1	Screen voltage	-----	"IRGB cut off" must set to 80 (all pattern)	● Press "MUTE" key on the remote handset and the screen will become a horizontal line. Then adjust the "screen" VR on the flyback until the horizontal line can just be seen (minimum visible intensity).
2	Focus voltage	-----	Cross hatch pattern.	● Adjust the "focus" VR on the flyback until the screen becomes clear.
3	VCO	-----	Apply an IF signal (see tuner spec. For frequency) to the IF input.	● Monitor the DC voltage at pin 48 of IC201, then adjust T271 until the voltage at pin 48 become 4.62 +/- 0.02 V. ● Press the AFT button on the factory remote and AFT adjustment will be done automatically.



4	Vertical geometry for PAL system (Key 2)	VPOS50 (04) HIGH50 (25) VLIN50 (04) VSC50 (05) OSD50 (20)	Input a PAL cross hatch pattern.	<ul style="list-style-type: none"> <li>● Adjust VPOS50 for vertical position.</li> <li>● Adjust HIGH50 for vertical amplitude.</li> <li>● Adjust VLIN50 for vertical linearity.</li> <li>● Adjust VSC50 for vertical S-correction</li> <li>● Adjust OSD50 for OSD position (normally use default value).</li> </ul>
5	Vertical geometry for NTSC system (Key 3)	VPOS60 (00) HIGH60 (2E) VLIN60 (05) VSC60 (0A) OSD60 (89)	Input a NTSC cross hatch pattern.	<ul style="list-style-type: none"> <li>● Adjust VPOS60 for vertical position.</li> <li>● Adjust HIGH60 for vertical amplitude.</li> <li>● Adjust VLIN60 for vertical linearity.</li> <li>● Adjust VSC60 for vertical S-correction</li> <li>● Adjust OSD60 for OSD position (normally use default value).</li> </ul>
6	Horizontal geometry for PAL system (Key 4)	HPOS50 (0D) HSIZE50 (2A) PARA50 (14) TRAP50 (0E) CORN50 (0A) VEHT50 (03) HEHT50 (02)	Input a PAL cross hatch pattern with black and white background.	<ul style="list-style-type: none"> <li>● Adjust HPOS50 for horizontal position.</li> <li>● Adjust HSIZE50 for horizontal width.</li> <li>● Adjust PARA50, TRAP50 and CORN50 until the vertical line at left and right side of the picture become straight.</li> <li>● VEHT and HENT is for the picture size stability when changing the brightness of the screen. Receive pattern of cross hatch with black background and then change to white background, then compare the vertical and horizontal size between black and white background. Adjust VEHT and HEHT until you get the minimum difference of screen size. After you adjust VEHT and HEHT, you must re-adjust vertical and horizontal amplitude.</li> </ul>
7	Horizontal geometry for NTSC system (Key 5)	HPOS60 (11) HSIZE60 (2A) PARA60 (18) TRAP60 (0D) CORN60 (0D) VEHT60 (03) HEHT60 (02)	Input a NTSC cross hatch pattern with black and white background.	<ul style="list-style-type: none"> <li>● Adjust HPOS60 for horizontal position.</li> <li>● Adjust HSIZE60 for horizontal width.</li> <li>● Adjust PARA60, TRAP60 and CORN60 until the vertical line at left and right side of the picture become straight.</li> <li>● Adjust VEHT and HEHT using same method of PAL system. Also need re-adjustment of vertical and horizontal amplitude.</li> </ul>
1 2	Key 6 (Status adjustment)	RFAGC (25) PIFAFT (44) HAFC (00) S-B-Y (08) S-R-Y (08) VOL 05 (48) VOL 25 (65) VOL OUT(73)	Receive a 60dB grey scale + color bar signal	<ul style="list-style-type: none"> <li>● RFAGC – monitor the voltage at AGC pin of the tuner. Then increase the setting of RFAGC until the tuner AGC voltage reach maximum (about 5V). Then decrease the RFAGC setting until the AGC voltage just drop.</li> <li>● Adjust S-B-Y and S-R-Y to get the optimal color for SECAM system.</li> <li>● Please keep the PIFAFT value after auto AFT adjustment.</li> <li>● HAFC item must use the default value.</li> </ul>

	(curve of volume control)		-----	<ul style="list-style-type: none"> <li>● VOL05 is the volume output level at 5%</li> <li>● VOL25 is the volume output level at 25%</li> </ul> <p>Remark: The value of VOL05 and VOL25 was not suggested to vary in every set. It is suggested to use the default value.</p>
13	White balance adjustment (key 1)	R CUT (6B) G CUT (9E) B CUT (7C) G DRV (39) B DRV (35)	Black and white pattern (PAL)	<ol style="list-style-type: none"> <li>1. Measure the dark side of the picture with a color analyzer and set RCUT to 80. Then adjust BCUT and GCUT until the data on the analyzer become <math>x = 284, y = 299</math>.</li> <li>2. Measure the bright side of the picture, Then adjust BDRV and GDRV until the data on the analyzer become <math>x = 284, y = 299</math>.</li> <li>3. Repeat step 1 and 2 until you get right color on both dark and bright side of the screen.</li> </ol>

Other adjustment (default value was suggested, except BRTC)

8	Key 0	OSD (0A) TXCX (30) RGCN (20) TNTX (25) TNTN (32) FM MODE (13) DKFMMD (20)	-----	<p>OSD – OSD position</p> <p>TXCX – OSD intensity when maximum contrast</p> <p>RGCN – OSD intensity when minimum contrast</p> <p>TNTX – maximum tint level</p> <p>TNTN – minimum tint level</p> <p>FM MODE – frequency shift for FM (mono) mode, only useful for NICAM model</p> <p>DKFMMD - frequency shift for DK NICAM mode</p>
9	Key 8	SCNT (0F) CNTX (3F) CNTN (00) BRTX (20) BRTN (25) COLX (35) COLN (00)	-----	<p>SCNT – sub contrast for luminance signal</p> <p>CNTX – maximum contrast</p> <p>CNTN – minimum contrast</p> <p>BRTX – maximum brightness</p> <p>BRTN – minimum brightness</p> <p>COLX – maximum color</p> <p>COLN – minimum color</p>
10	Key 9	CNTC (22) BRTC (37) COLC (50) TNTC (35) COLP (00) COLS (54) BRTS (00)	-----	<p>CNTC – 50% contrast</p> <p>BRTC – 50% brightness</p> <p>COLC – 50% color</p> <p>TNTC – 50% tint</p> <p>COLP – color level for PAL</p> <p>COLS – color level for SECAM</p> <p>BRTS – sub brightness for SECAM</p> <ul style="list-style-type: none"> <li>● For the adjustment of BRTC, receive an 8 step grey scale pattern and adjust all picture settings to 50%. Then adjust BRTC until the first and second step on the screen can just be distinguished.</li> </ul>

11	Two-digit key -/-- (sharpness adjustment)	SHPTV3 (1A) SHPAV3 (1A) SHPTV4 (18) SHPAV4 (18) SHPX (1A) SHPN (1F)	-----	SHPTV3 – 50% sharpness in 3.58 system (TV) SHPAV3 – 50% sharpness in 3.58 system (AV) SHPTV4 – 50% sharpness in 4.43 system (TV) SHPAV4 – 50% sharpness in 4.43 system (AV) SHPX – maximum sharpness SHPN – minimum sharpness
13	KEY CALL	DBE STR 50 DBE HMC 0D DBE HP 07 DBE LP 00 DBE LIM FO SUB FRE 15 SUB HP 02 VOLMAI 03	Richly Music Signal	Effect Strength Harmonic Content High Pass Corner Frequency Low Pass Corner Frequency Amplitude Limit Subwoofer Corner Frequency Subwoofer Complementary High Pass Filter Volume Loudspeaker

System data:

	Item	Adjust item	Default value
12	Key 7	VCDM0 VCDM1 VCDM2 MODE0 MODE1 MODE2 OPTION	It is subject to the current ODF. Please check the sample to get the value.

## System setting of M13

VCDM0 (default value: 28)

BIT	Item
0	System switch: 0 : normal identify mode 1 : weak signal identify mode
1	White peak suppress: 0: on 1: off
2,3	ABL gain 00: -0.74v 01: -0.64v 10: -0.37v 11: -0.12v
4,5	ABL start point 00: -0.01v 01: -0.11v 10: -0.3v 11: -0.45v
6	CW-SW: TB1238N, pin 29 Fsc CW output 0 : AUTO,
7	In force system mode, the status of color killer when weak signal 0: on 1: off

VCDM1 (default value: 00)

BIT	Item
0	Blanking: 0: on 1: off
1,2,3,4,5	V-Mute timing: = 200ms + 8ms ×Data
6	Base band filter in NTSC system: 0: on, 1: off
7	VMOD

VCDM2 (default value: 40 for 38MHz IF, 30 for 38.9MHz IF)

BIT	Item
0	AFT-mute: 0: off, 1: on (brightness off)
1	SECAM-ADJ: 0: SECAM correction off, 1: SECAM correction on
2	TB1238N_VMOD
3	PIF VCO ADJ
6,5,4	IF frequency: 48.75MHz    45.75MHz    39.50MHz    38MHz 34.47MHz
7	AVC: 0:ON 1:OFF

MODE0

BIT	Item
0	0: normal AV 1: SCART (CATV)
1	SRS: 0: OFF 1:ON
2	SECAM system: 0: off, 1: on
3	High Sensibility: 0: off 1: on
4, 5	STANDBY status after switch on : 00 or 10: force STANDBY 01: force on. 11: status before switch off
6,7	Mode0.6, Mode0.7: 0X: English 10: English + Russia 11: English + Vietnamese

### MODE1

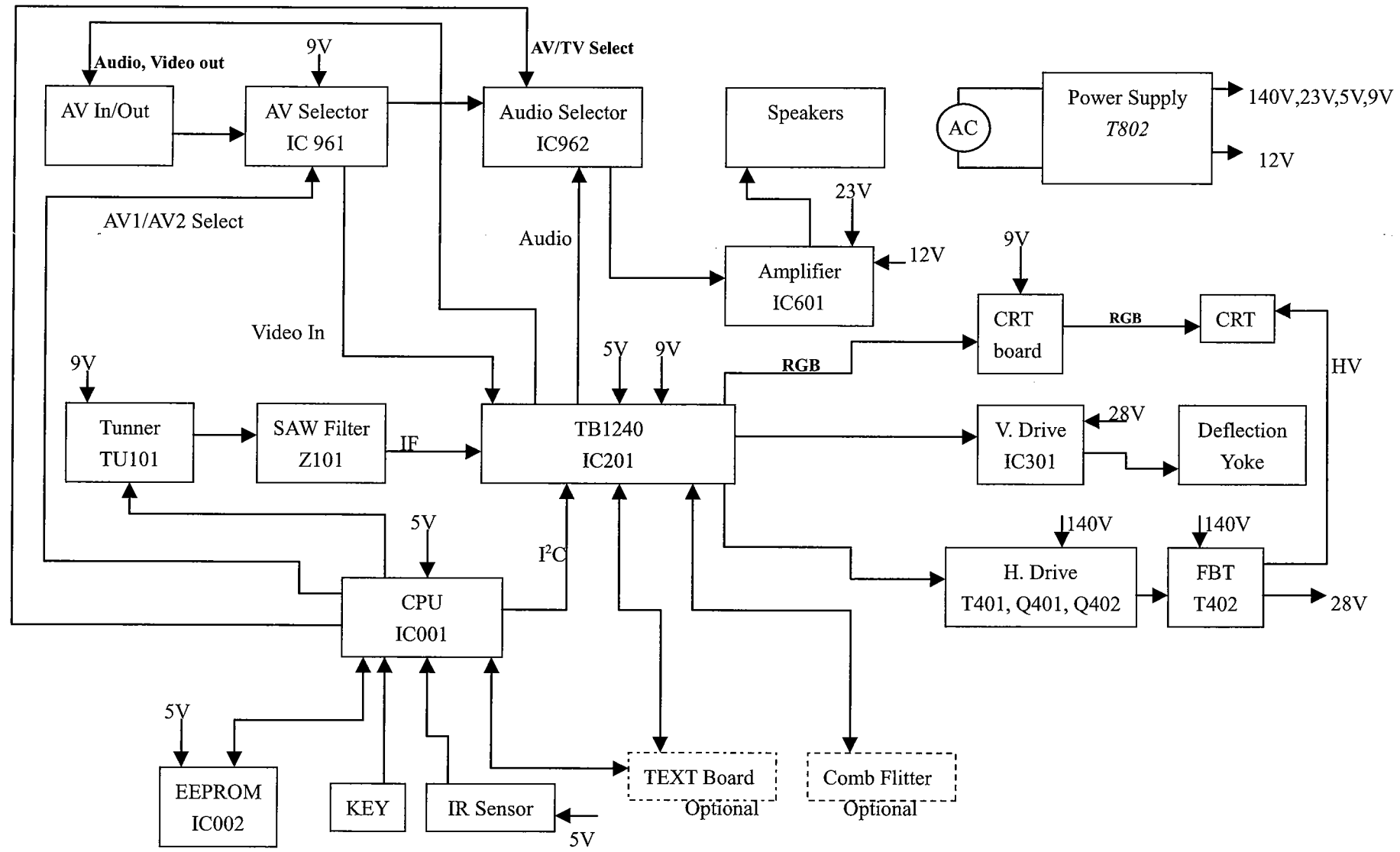
BIT	Item
0	BG : 0 : off 1 : on
1	I : 0 : off 1 : on
2	DK : 0 : off 1 : on
3	M : 0 : off 1 : on
4, 5	SSIF1, SSIFO Default sound system after auto search: 00 : BG 01 : I 10 : DK 11 : M
6	AV/TV: 0: TV/AV 1: TV AV1/AV2
7	Number of channels: 0: 50 1: 100

### MODE2

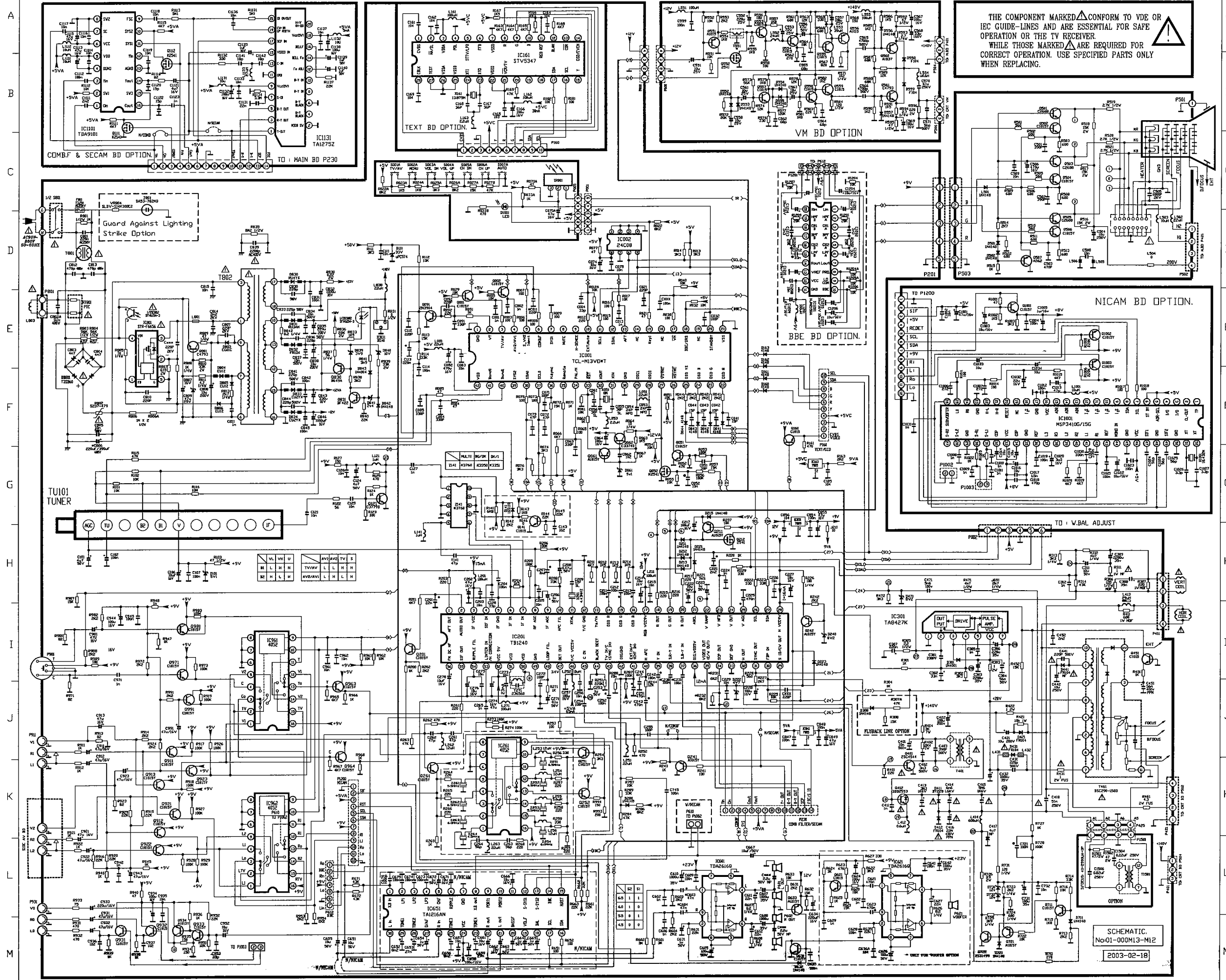
BIT	Item
0	D-MODE : 0: off 1: on
1	Teletext 0: off 1: on
2	COMB Filter 0: off 1: on
3	BBE 0: off 1: on
4	NICAM & IGR 0: off 1: on
5	WOOFER 0: off 1: on
6	DBE 0: off 1: on
7	VM 0: off 1: on

### OPTION (default value: 10)

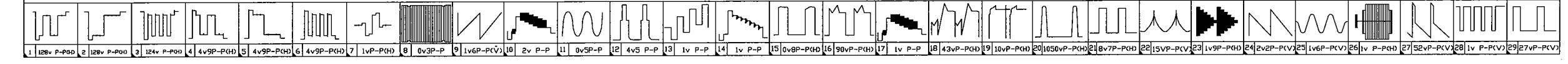
BIT	Item
0	When blue background off (mute pin of CPU): 0: audio mute on 1: audio mute off
1	When blue background off (external mute pin of CPU): 0: audio mute on 1: audio mute off
2	When change channel: 0: picture mute on 1: picture mute off
3	Audio demodulation gain setting: 0: 50KHz 1: 25KHz
4	When no signal: 0: search channel by changing VT 1: use memorized VT
5	Logo: 0: off 1: on
6	OSD black background: 0: off 1: on
7	Display on Sound Mode Changing: 0: on 1: off



THE COMPONENT MARKED  $\Delta$  CONFORM TO VDE OR IEC GUIDE-LINES AND ARE ESSENTIAL FOR SAFE OPERATION OF THE TV RECEIVER. WHILE THOSE MARKED  $\nabla$  ARE REQUIRED FOR CORRECT OPERATION. USE SPECIFIED PARTS ONLY WHEN REPLACING.

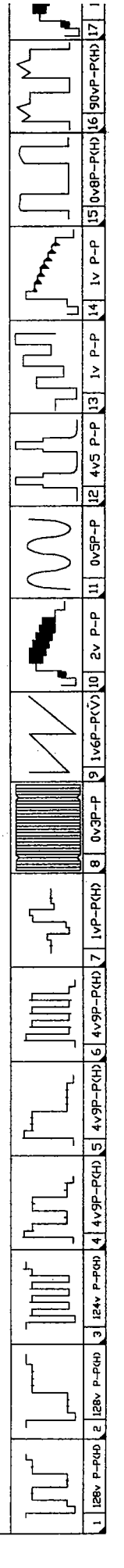
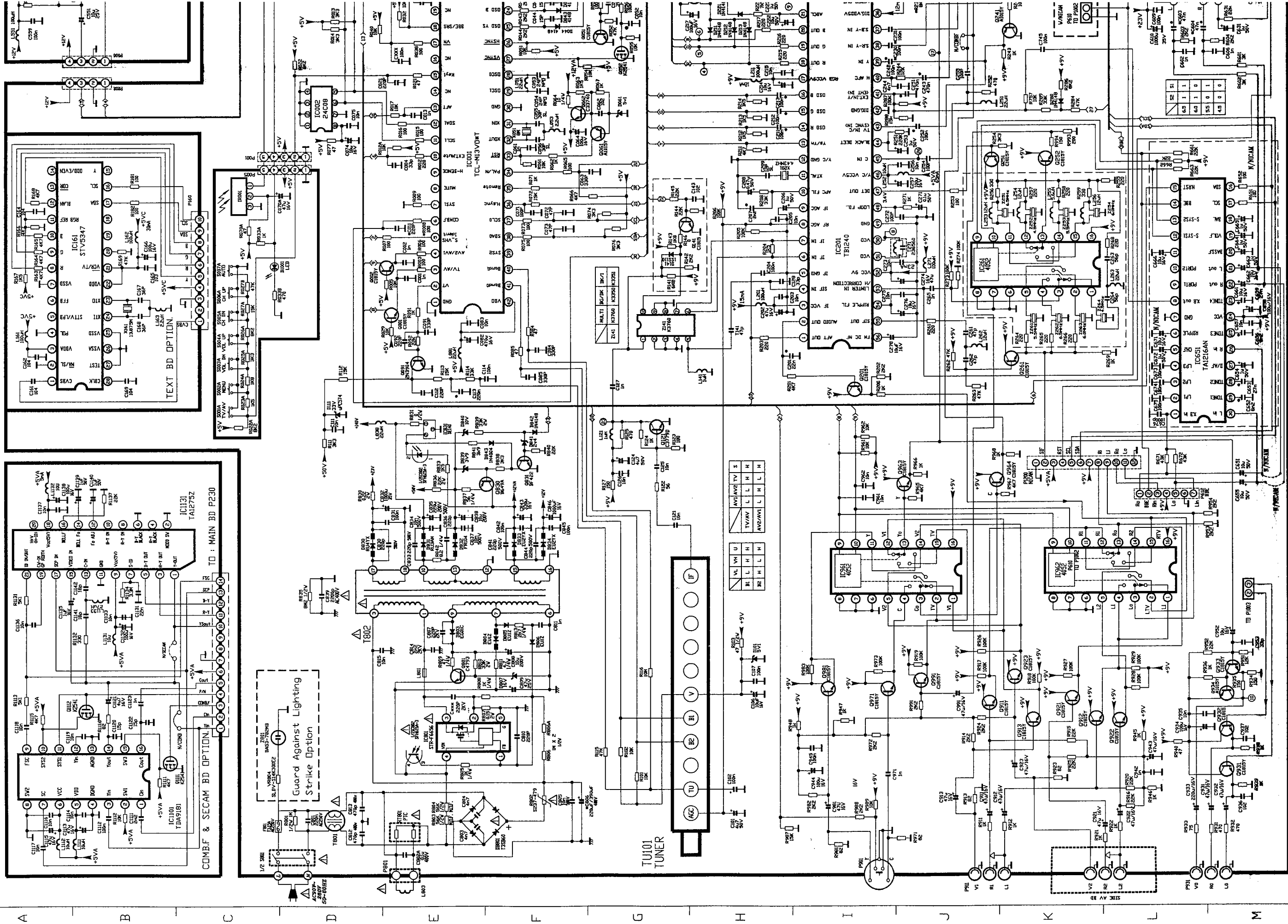


SCHEMATIC No.01-000M13-M12 2003-02-18



SERVICE SHEET OF M13 CHASSIS

CIF



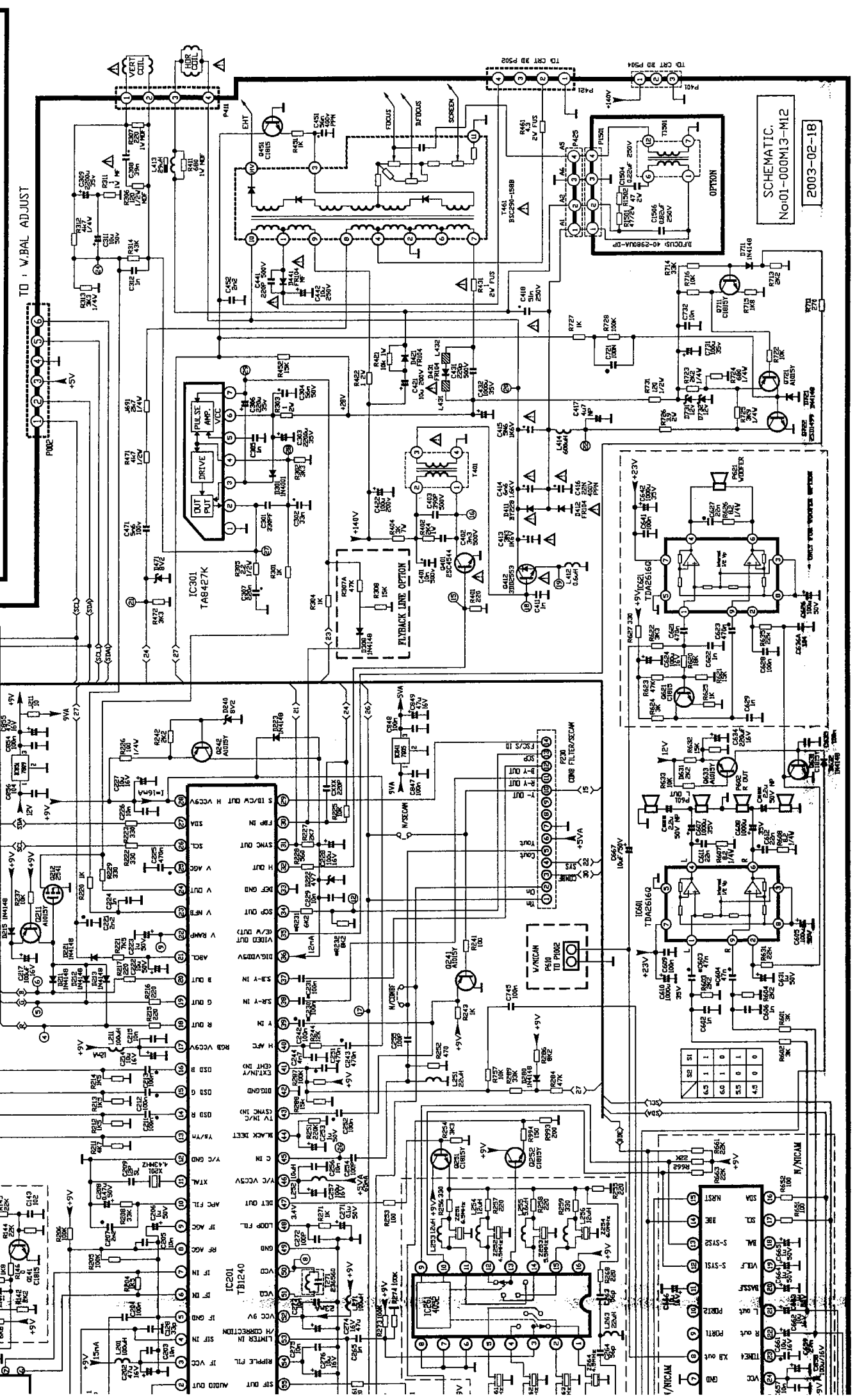
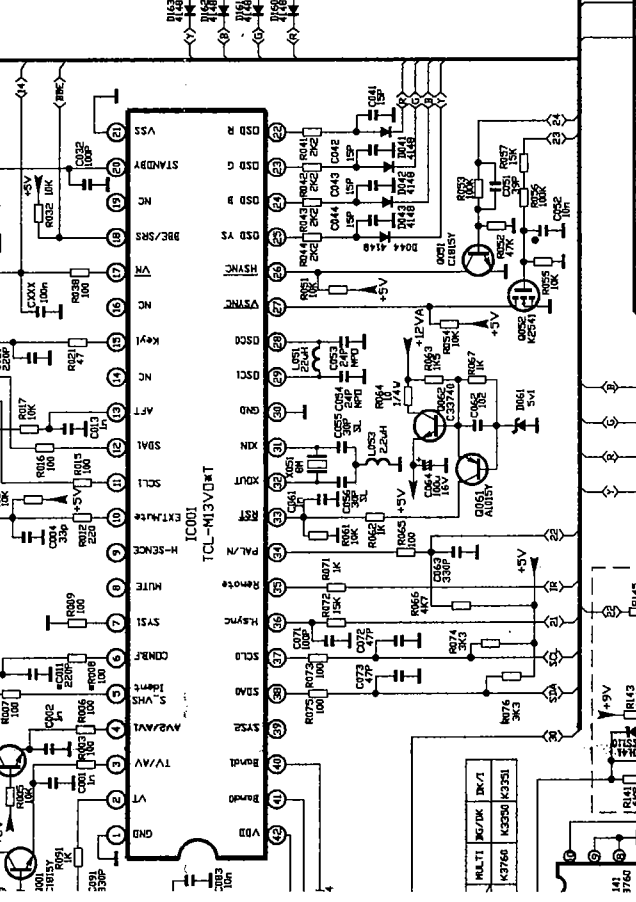
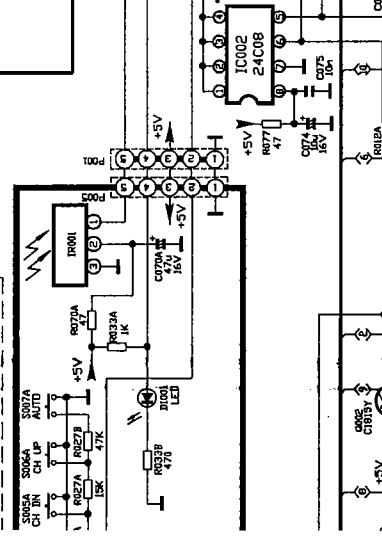
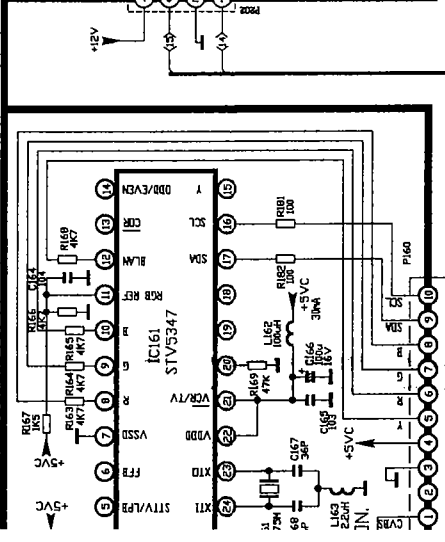
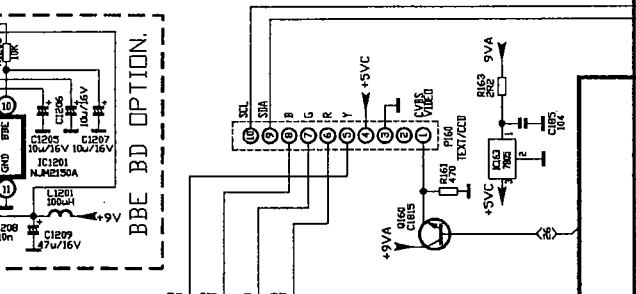
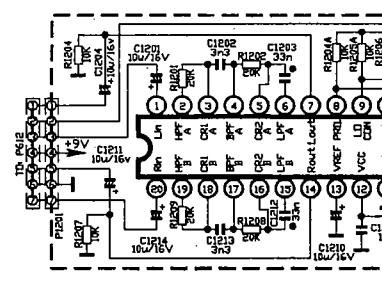
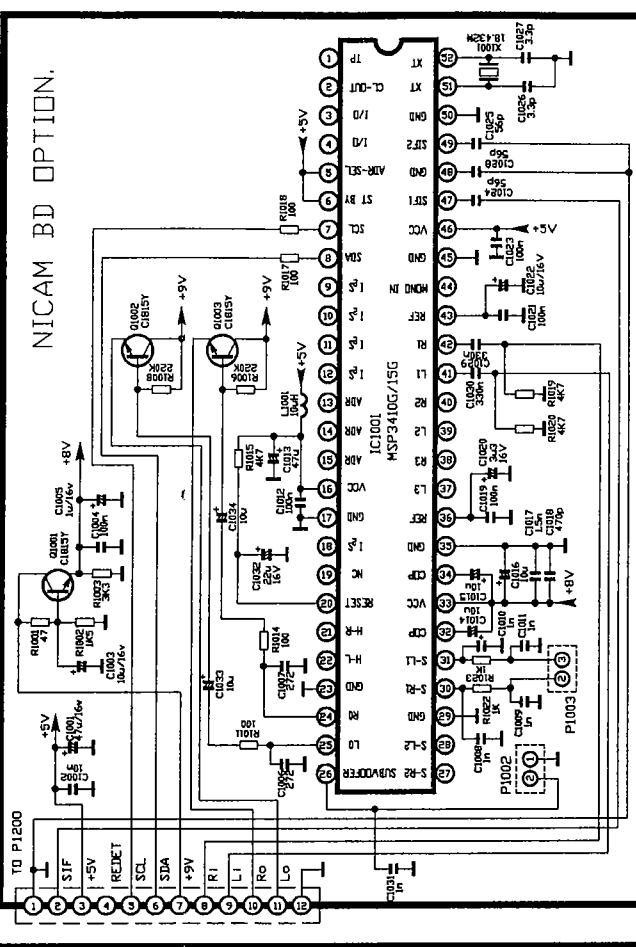
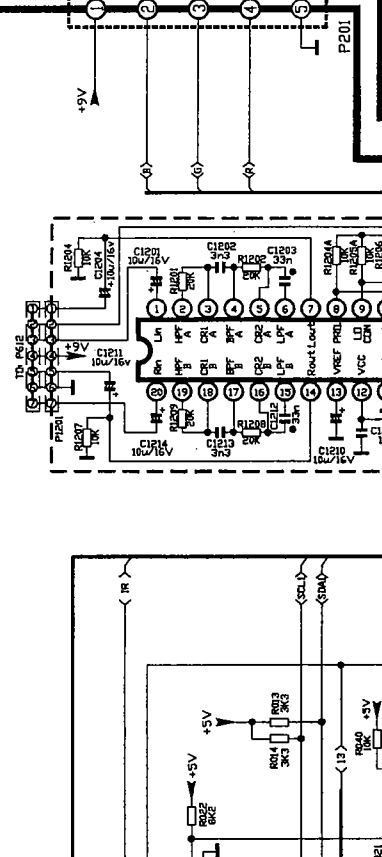
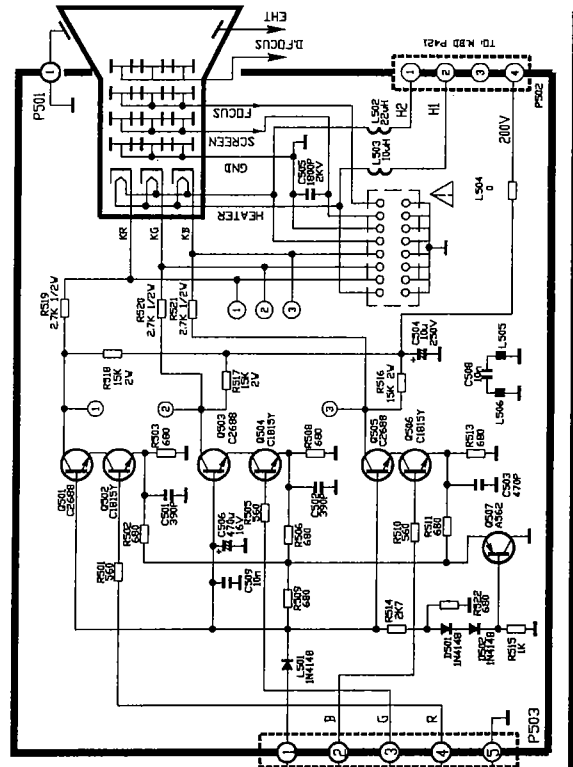
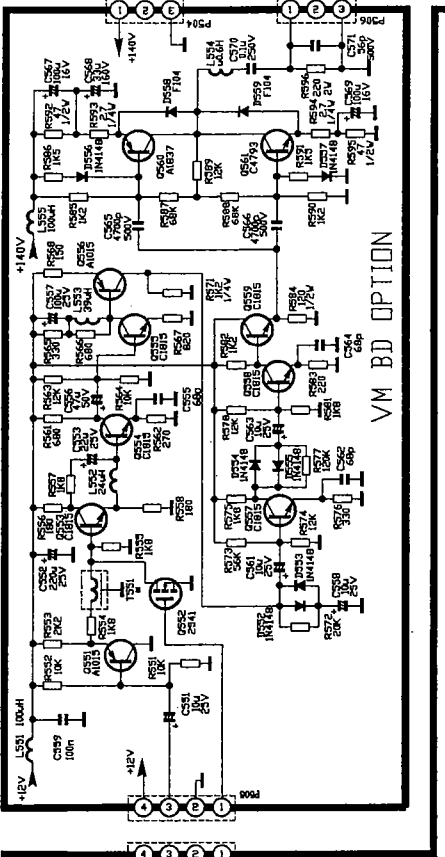
1 2 3 4 5 6 7 8

1 128V P-P (H) 2 128V P-P (H) 3 124V P-P (H) 4 4V5P-P (H) 5 4V9P-P (H) 6 4V9P-P (H) 7 1V P-P (H) 8 0V3P-P 9 1V6P-P (V) 10 2V P-P 11 0V5P-P 12 4V5 P-P 13 1V P-P 14 1V P-P 15 0V8P-P (H) 16 90V-P (H) 17 1



CIRCUIT CONSTANTS AND CIRCUIT ITSELF ARE SUBJECT TO CHANGE WITHOUT NOTICE

THE COMPONENT MARKED  $\Delta$  CONFORM TO VDE OR IEC GUIDE-LINES AND ARE ESSENTIAL FOR SAFE OPERATION OR THE TV RECEIVER. WHILE THOSE MARKED  $\nabla$  ARE REQUIRED FOR CORRECT OPERATION. USE SPECIFIED PARTS ONLY WHEN REPLACING.



SCHEMATIC. No:01-000M13-M12

2003-02-18

